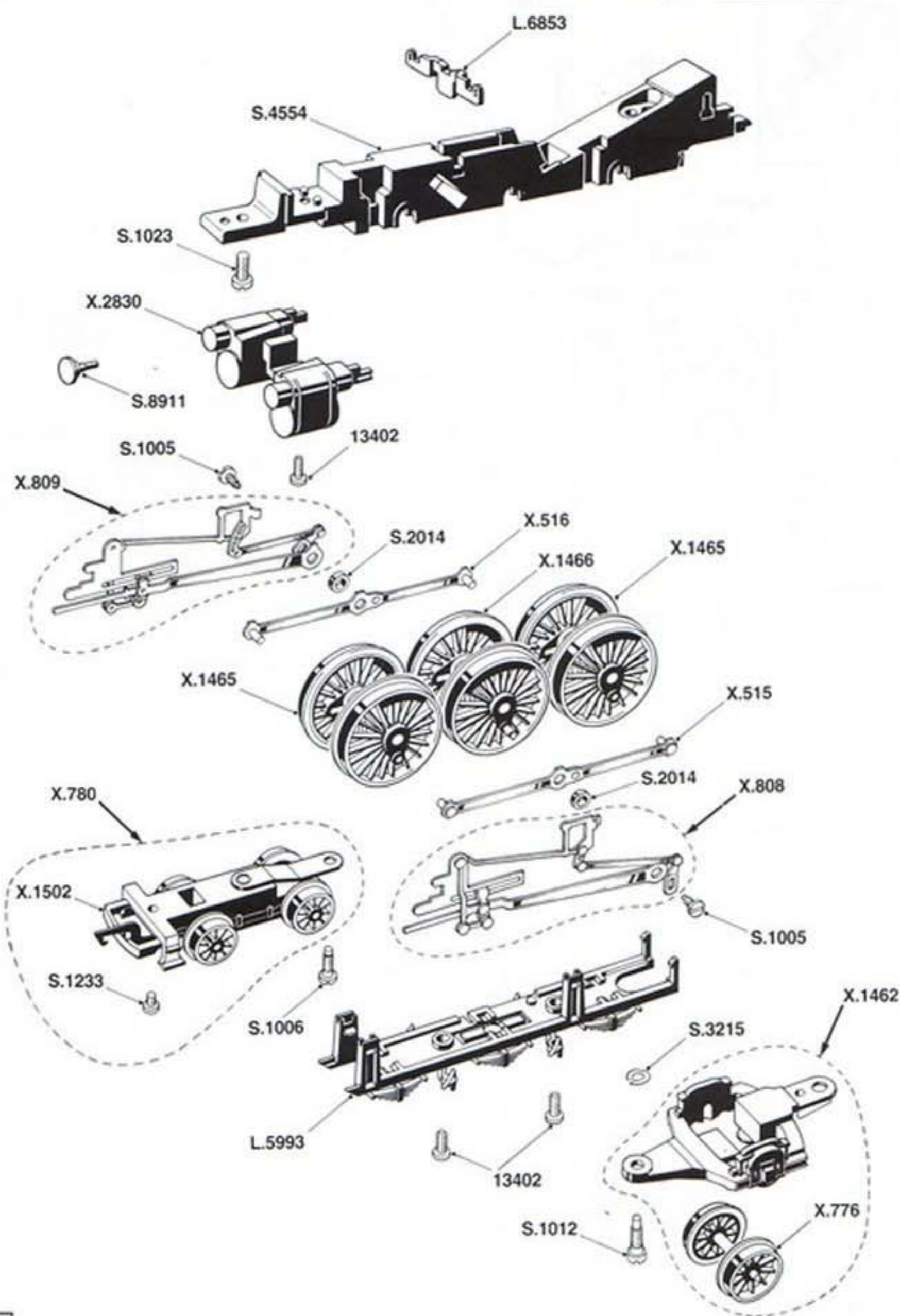


4-6-2 LOCOMOTIVE 'BRITANNIA' CLASS

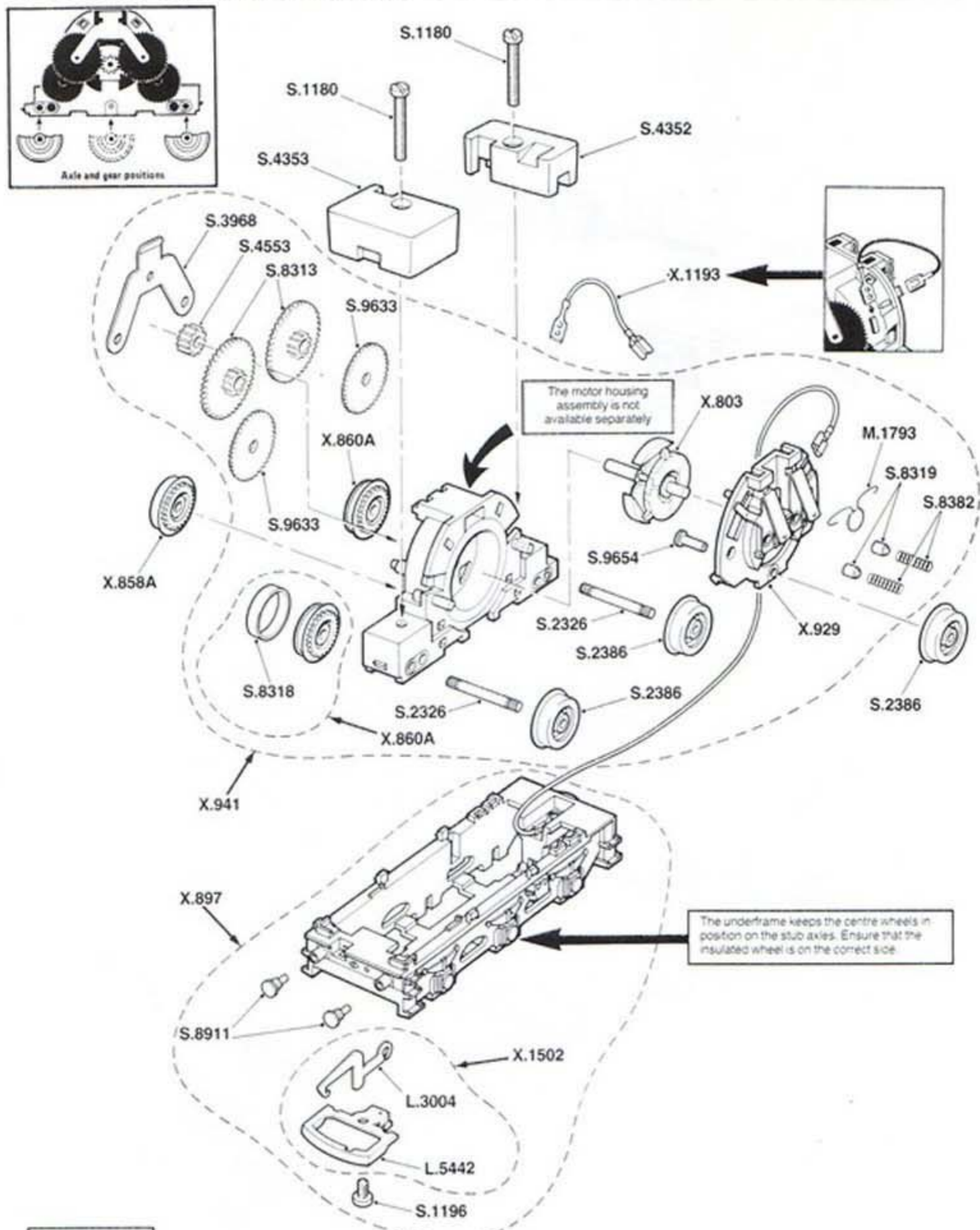
Locomotives of this class modelled by Hornby: Britannia, Morning Star, Tennyson, William Shakespeare



List of Parts

Ref. No.	Item	Ref. No.	Item	Ref. No.	Item
X.515	Coupling Rod L/H.....	X.1466	Centre Driving Wheel/Axle Assy	S.1006	Screw - Bogie Fixing.....
X.516	Coupling Rod R/H.....	X.1502	Coupling Unit.....	S.1012	Screw - Pony Truck.....
X.776	Wheel/Axle Assembly.....	X.2830	Cylinder Block.....	S.1023	Screw - Body Fixing.....
X.780	Bogie Assembly.....			S.1233	Screw - Coupling Unit.....
X.808	Valve Gear Assembly L/H.....	L.5993	Underframe.....	S.2014	Distance Piece.....
X.809	Valve Gear Assembly R/H.....	L.6853	Motion Bracket.....	S.3215	Washer.....
X.1462	Pony Truck Assembly.....			S.4554	Chassis.....
X.1465	Driving Wheel/Axle Assembly...	S.1005	Screw - Valve Gear	S.8911	Buffer - Round Head.....
				13402	Screw - Miscellaneous.....

TENDER for LOCOMOTIVE 'BRITANNIA' CLASS



List of Parts

Ref. No.	Item	Ref. No.	Item	Ref. No.	Item
X.803	Armature/Commutator.....	L.5442	Coupling Bar.....	S.4352	Weight - Front.....
X.858A	Driving Wheel - Centre.....			S.4353	Weight - Rear.....
X.860A	Driving Wheel - Tyred.....	M.1793	Suppressor.....	S.4553	Spur Gear - 11 Tooth.....
X.897	Chassis Frame Assembly.....			S.8313	Spur Gear - 40/10 Tooth.....
X.929	Brush Retaining Arm Assy.....	S.1180	Screw - Weight Fixing.....	S.8318	Traction Tyre.....
X.941	Motor/Chassis Assembly.....	S.1196	Screw - Coupling.....	S.8319	Carbon Brush.....
X.1193	Wire Lead Assembly.....	S.2326	Axle.....	S.8382	Brush Spring.....
X.1502	Coupling Unit.....	S.2386	Driving Wheel - Metal.....	S.8911	Buffer - Round Head.....
		S.2386	Tender Ladder - not shown.....	S.9633	Spur Gear - 33 Tooth.....
L.3004	Coupling Hook.....	S.3968	Gear Retainer.....	S.9654	Stub Axle.....