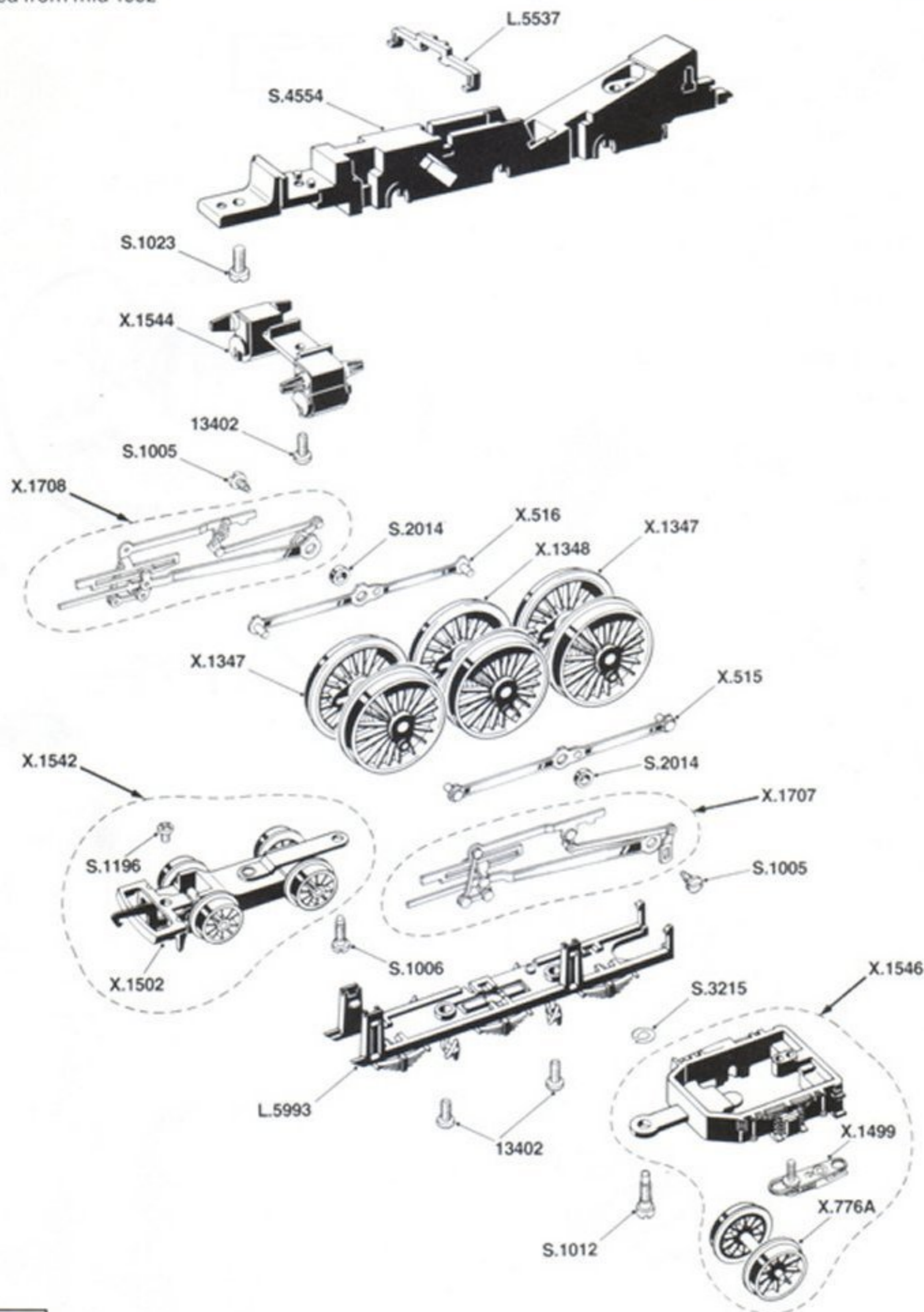


4-6-2 LOCOMOTIVE CLASS A1

As produced from mid 1992

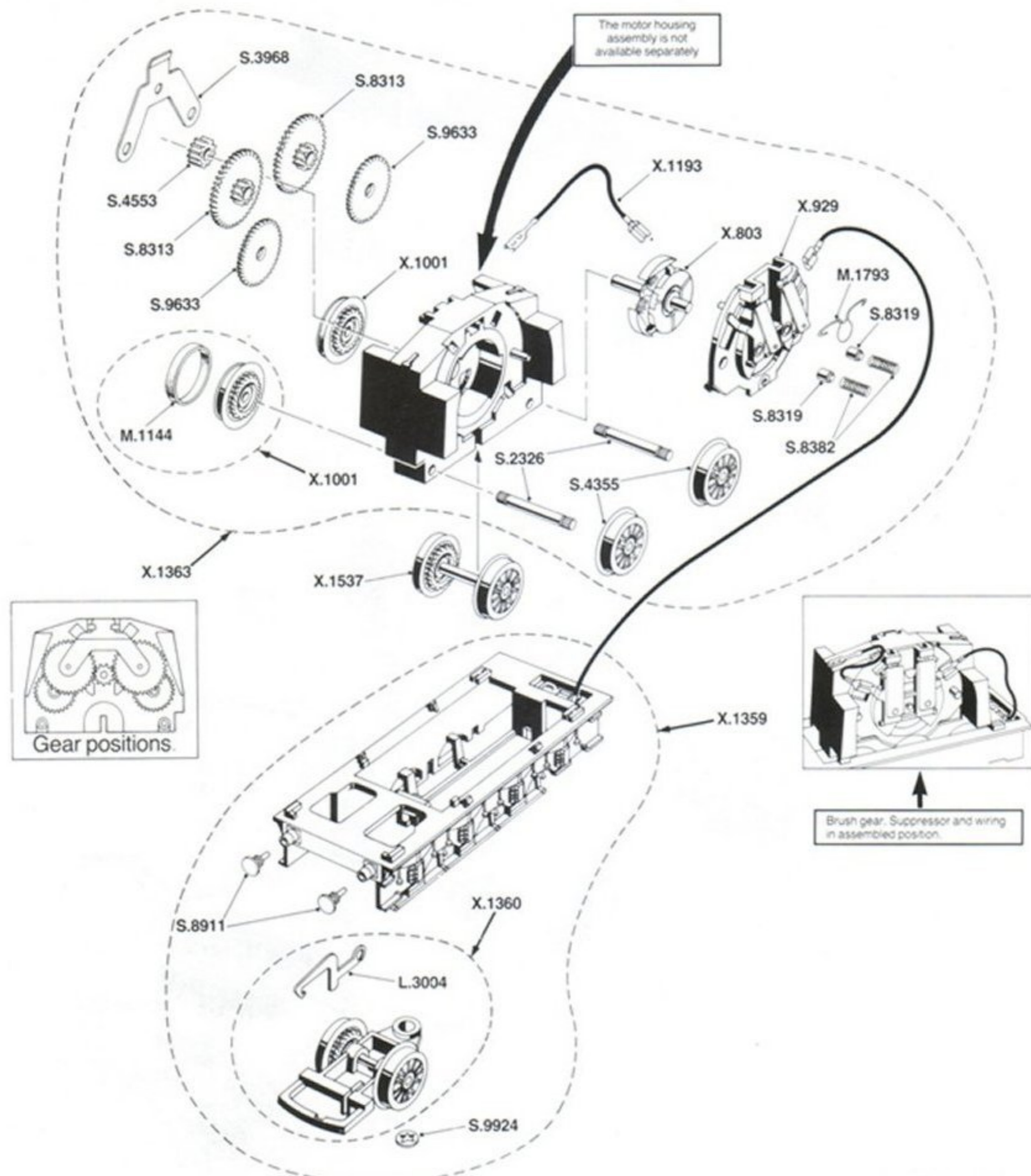
Locomotives of this class modelled by Hornby: Flying Scotsman, Royal Lancer.



List of Parts

Ref. No.	Item	Ref. No.	Item	Ref. No.	Item
X.515	Coupling Rod L/H.....	X.1546	Pony Truck Assembly.....	S.1005	Screw - Valve Gear.....
X.516	Coupling Rod R/H.....	X.1707	Valve Gear Assembly L/H.....	S.1006	Screw - Bogie Fixing.....
X.776A	Wheel/Axle Assembly.....	X.1708	Valve Gear Assembly R/H.....	S.1012	Screw - Pony Truck.....
X.1347	Driving Wheel/Axle Assembly...	L.5537	Motion Bracket.....	S.1023	Screw - Body Fixing.....
X.1348	Centre Driving Wheel/Axle Assy	L.5993	Underframe.....	S.1196	Screw - Coupling Unit.....
X.1499	Close Coupling Assembly.....			S.2014	Distance Piece.....
X.1502	Coupling Unit.....			S.3215	Washer.....
X.1542	Bogie Assembly.....			S.4554	Chassis.....
X.1544	Cylinder Block.....			13402	Screw.....

TENDER for LOCOMOTIVE CLASS A1



List of Parts

Ref. No.	Item	Ref. No.	Item	Ref. No.	Item
X.803	Armature/Commutator.....	L.3004	Coupling Hook.....	S.4355	Driving Wheel - Metal.....
X.929	Brush Retaining Arm Assy.....	M.1144	Traction Tyre.....	S.4553	Spur Gear - 11 Tooth.....
X.1001	Driving Wheel - Tyred.....	M.1793	Suppressor.....	S.8313	Spur Gear - 40/10 Tooth.....
X.1193	Wire Lead Assembly.....			S.8319	Carbon Brush.....
X.1359	Chassis Frame Assembly.....	S.2326	Axle.....	S.8382	Brush Spring.....
X.1360	Pony Truck Assembly.....	S.3968	Gear Retainer.....	S.8911	Buffer - Round Head.....
X.1363	Motor/Chassis Assembly.....			S.9633	Spur Gear - 33 Tooth.....
X.1537	Centre Wheel/Axle Assembly...			S.9924	Retaining Clip - Pony Truck.....