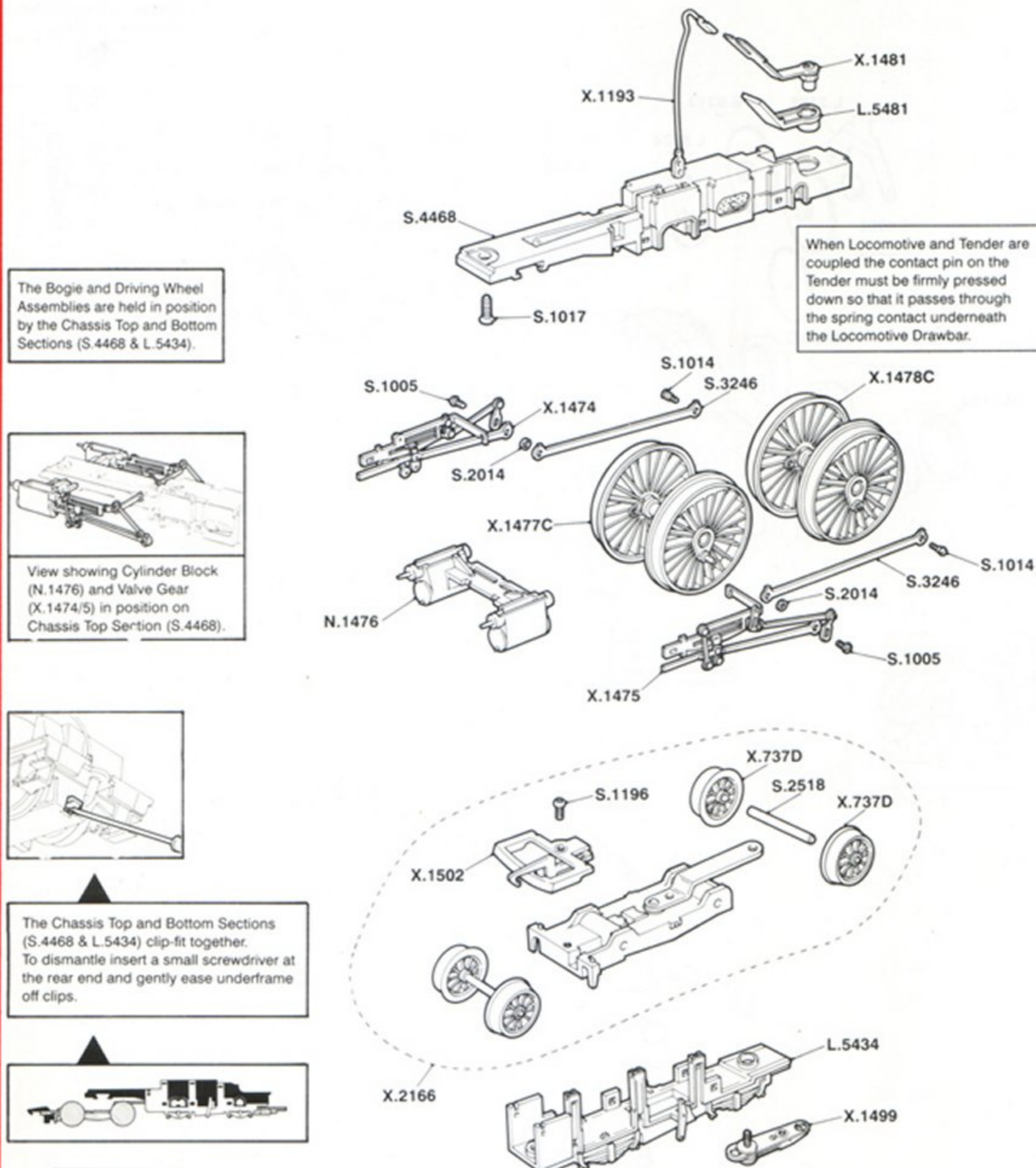
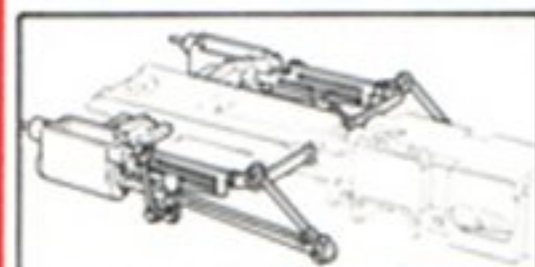


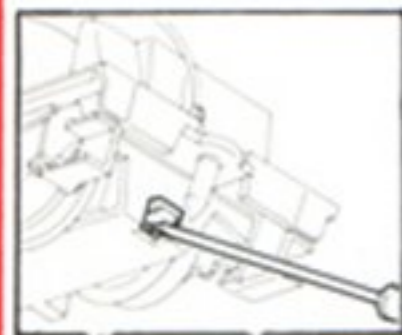
**SR 4-4-0 LOCOMOTIVE "SCHOOLS" CLASS**



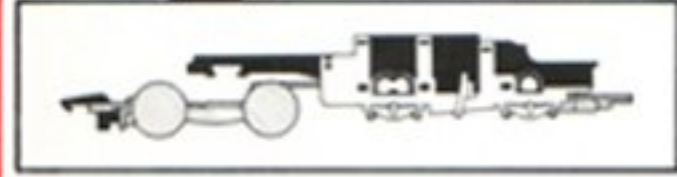
The Bogie and Driving Wheel Assemblies are held in position by the Chassis Top and Bottom Sections (S.4468 & L.5434).



View showing Cylinder Block (N.1476) and Valve Gear (X.1474/5) in position on Chassis Top Section (S.4468).



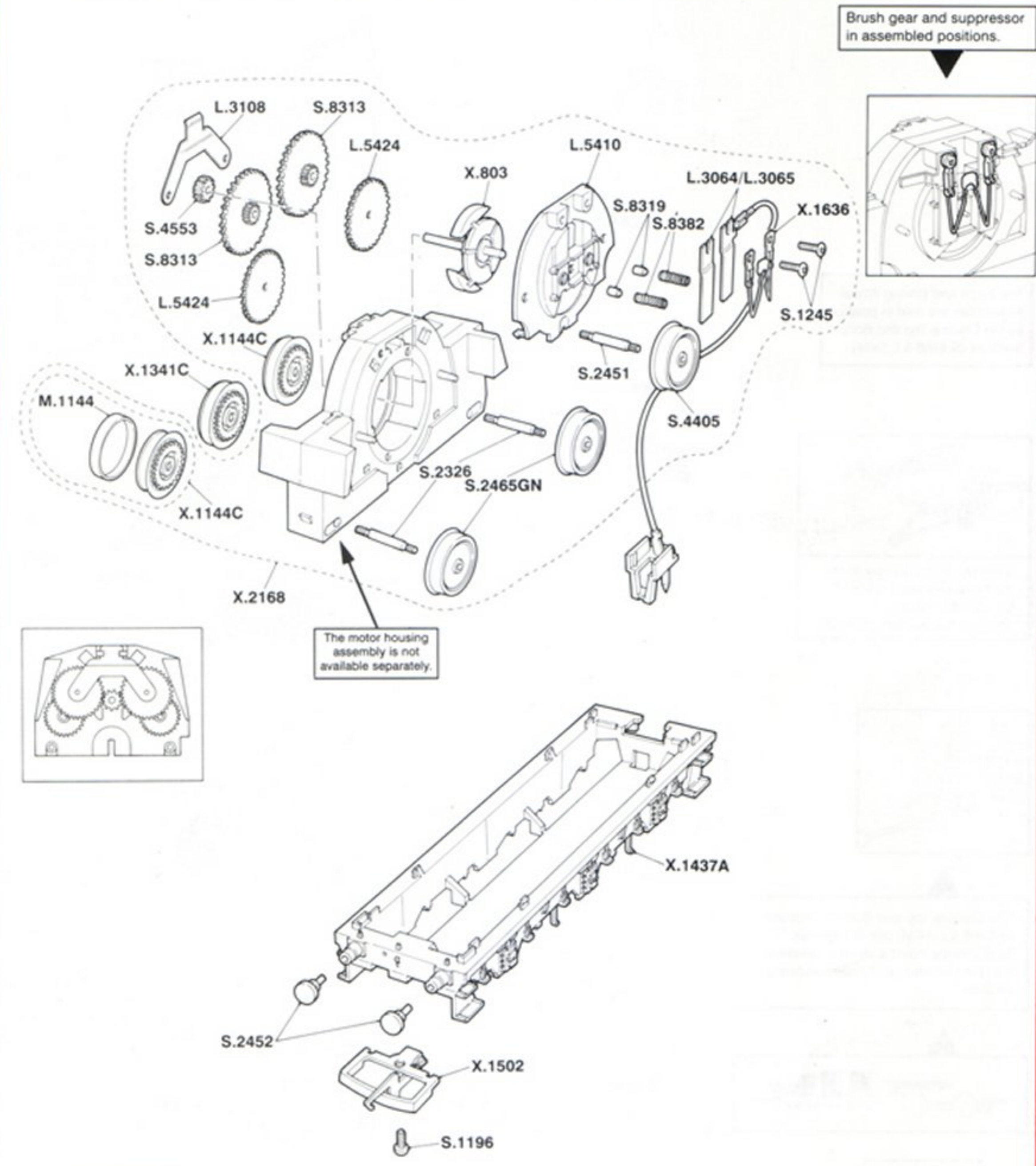
The Chassis Top and Bottom Sections (S.4468 & L.5434) clip-fit together. To dismantle insert a small screwdriver at the rear end and gently ease underframe off clips.



**List of Parts**

Ref. No.	Item	Ref. No.	Item	Ref. No.	Item
X.737D	Wheel Assembly - Bogie .....	X.2166	Bogie Assembly Complete .....	S.2518	Axle - Bogie .....
X.1193	Wire Lead Assembly .....	L.5434	Chassis - Bottom Section .....	S.3246	Coupling Rod .....
X.1474	Valve Gear Assembly - R.H. ....	L.5481	Terminal Connector Seating .....	S.4468	Chassis - Top Section .....
X.1475	Valve Gear Assembly - L.H. ....	N.1476	Cylinder Block .....	<b>Not Illustrated</b>	
X.1477C	Driving Wheel / Axle Assembly - Front .....	S.1005	Screw - Valve Gear .....	S.2345	Axle - Driving Wheel .....
X.1478C	Driving Wheel / Axle Assembly - Rear .....	S.1014	Screw - Coupling Rod .....	S.2382	Axle Bearing .....
X.1481	Terminal Connector .....	S.1017	Screw - Body Fixing .....	S.8397	Insulating Bush .....
X.1499	Drawbar Assembly .....	S.1196	Screw - Coupling Unit Assembly .....	L.5414	Smoke Deflector - L.H. ....
X.1502	Coupling Unit Assembly .....	S.2014	Distance Piece .....	L.5415	Smoke Deflector - R.H. ....

**TENDER DRIVE FOR SR LOCOMOTIVE "SCHOOLS" CLASS**



**List of Parts**

Ref. No.	Item	Ref. No.	Item	Ref. No.	Item
X.803	Armature Assembly .....	L.3065	Brush Retaining Arm - R.H. ....	S.2326	Axle .....
X.1144C	Driving Wheel - Tyred .....	L.3108	Gear Retainer .....	S.2451	Axle - Centre .....
X.1341C	Driving Wheel - Centre .....	L.5410	Motor Cover Plate Assembly .....	S.2452	Buffer - Round Head .....
X.1437A	Tender Chassis Assembly .....	L.5424	Spur Gear - 36 Tooth .....	S.2465GN	Driving Wheel - Metal .....
X.1502	Coupling Unit Assembly .....	M.1144	Traction Tyre .....	S.4405	Centre Wheel - Metal .....
X.1636	Suppressor Assembly .....	S.1196	Screw - Coupling Unit Assembly .....	S.8313	Spur Gear - 11 Tooth .....
X.2168	Motor / Chassis Assembly .....	S.1245	Screw - Brush Retaining Arm .....	S.8319	Carbon Brush .....
L.3064	Brush Retaining Arm - L.H. ....			S.8382	Brush Spring .....