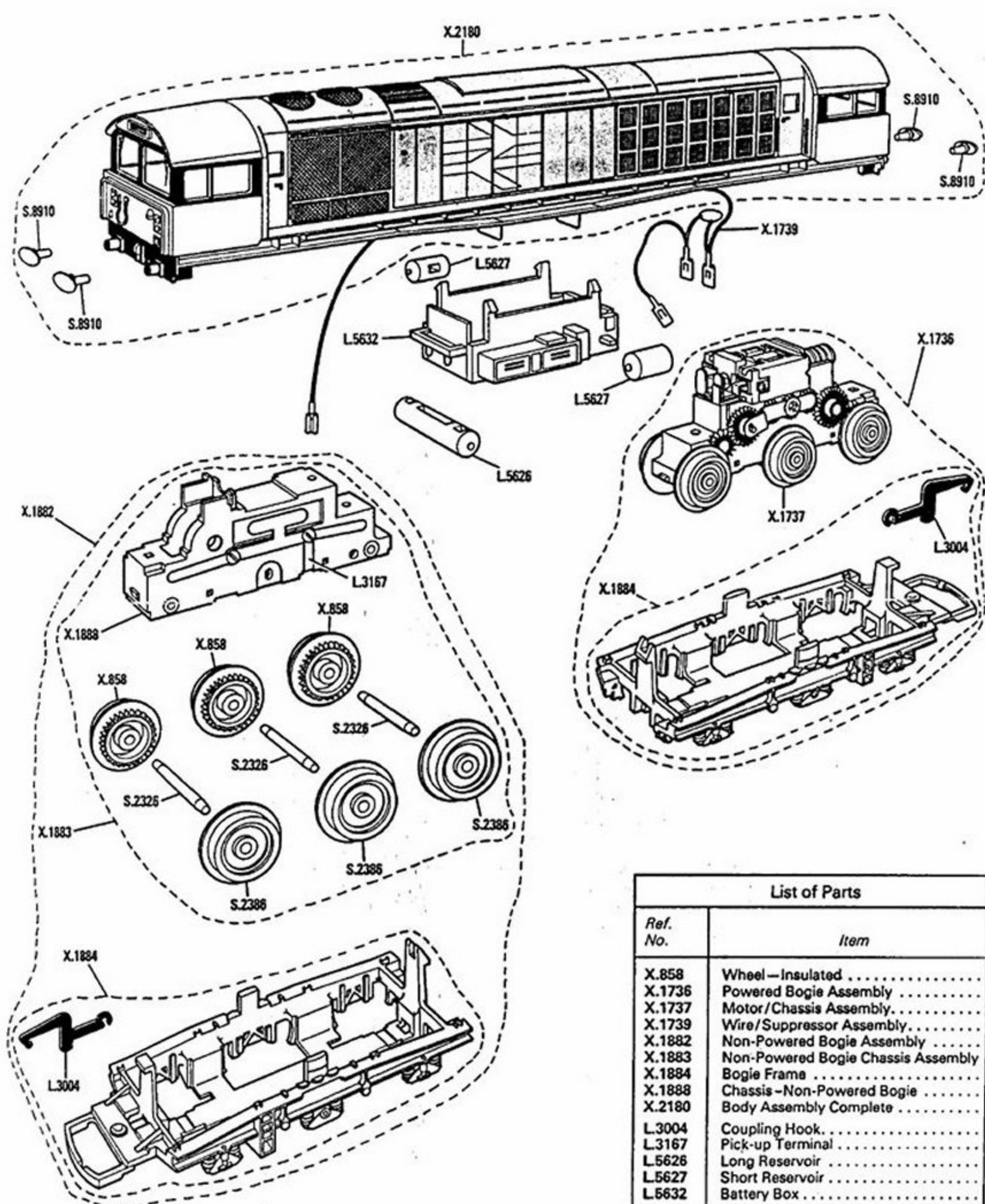


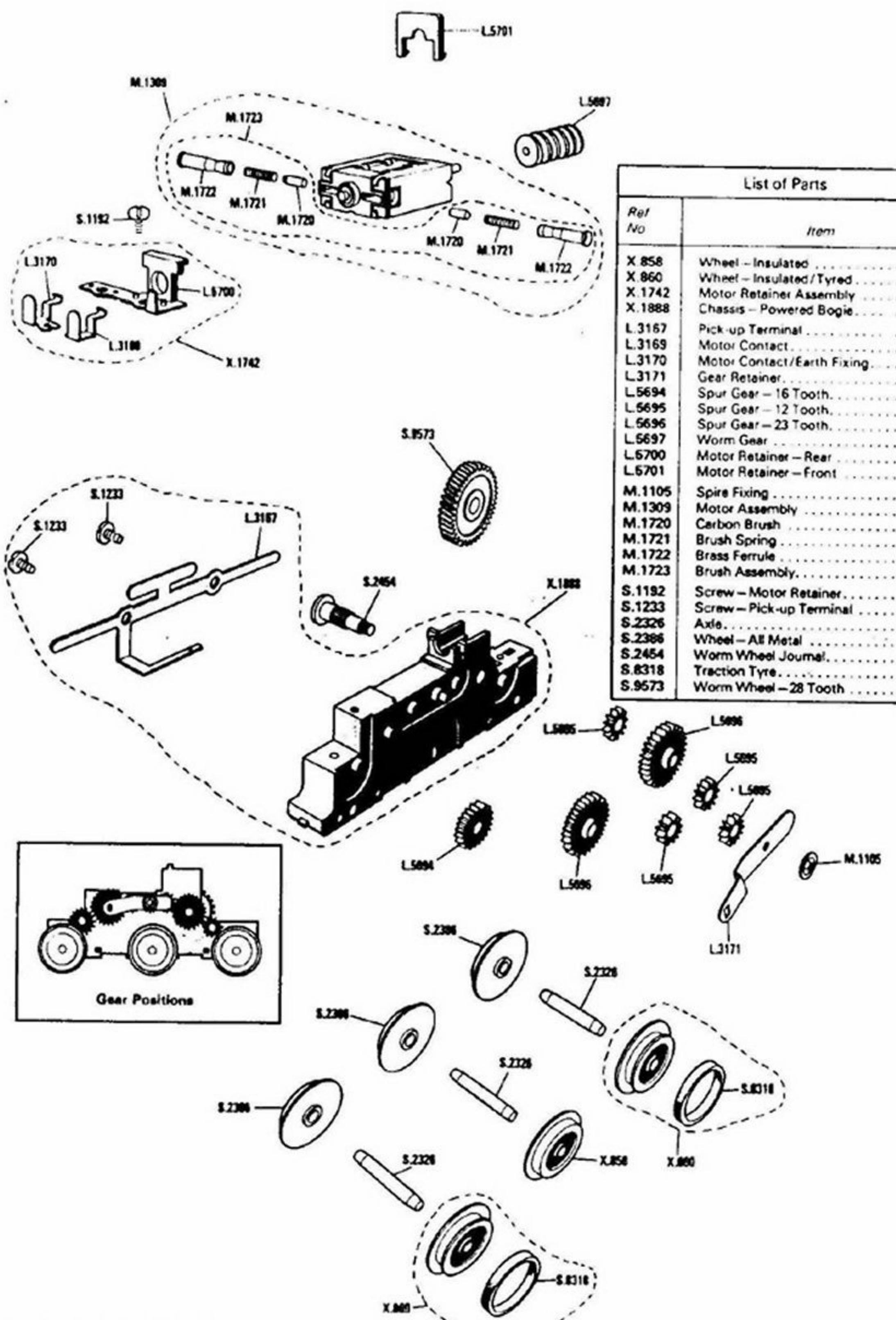
**B.R. CLASS 58 LOCOMOTIVE—R.250**



List of Parts	
Ref. No.	Item
X.858	Wheel—Insulated
X.1736	Powered Bogie Assembly
X.1737	Motor/Chassis Assembly
X.1739	Wire/Suppressor Assembly
X.1882	Non-Powered Bogie Assembly
X.1883	Non-Powered Bogie Chassis Assembly
X.1884	Bogie Frame
X.1888	Chassis—Non-Powered Bogie
X.2180	Body Assembly Complete
L.3004	Coupling Hook
L.3167	Pick-up Terminal
L.5626	Long Reservoir
L.5627	Short Reservoir
L.5632	Battery Box
S.2326	Axle
S.2386	Wheel—All Metal
S.8910	Oval Headed Buffer

Modifications are made to models from time to time. If a spare part is required which does not coincide with the illustration, a full description should be given and, if necessary, a sketch or sample should accompany the order.

**MOTOR/CHASSIS ASSEMBLY X.1737—For Class 58**



List of Parts	
Ref. No.	Item
X.858	Wheel—Insulated
X.860	Wheel—Insulated/Tyred
X.1742	Motor Retainer Assembly
X.1888	Chassis—Powered Bogie
L.3167	Pick-up Terminal
L.3169	Motor Contact
L.3170	Motor Contact/Earth Fixing
L.3171	Gear Retainer
L.5694	Spur Gear—16 Tooth
L.5695	Spur Gear—12 Tooth
L.5696	Spur Gear—23 Tooth
L.5697	Worm Gear
L.6700	Motor Retainer—Rear
L.6701	Motor Retainer—Front
M.1105	Spire Fixing
M.1309	Motor Assembly
M.1720	Carbon Brush
M.1721	Brush Spring
M.1722	Brush Ferrule
M.1723	Brush Assembly
S.1192	Screw—Motor Retainer
S.1233	Screw—Pick-up Terminal
S.2326	Axle
S.2386	Wheel—All Metal
S.2454	Worm Wheel Journal
S.8318	Traction Tyre
S.9573	Worm Wheel—28 Tooth

