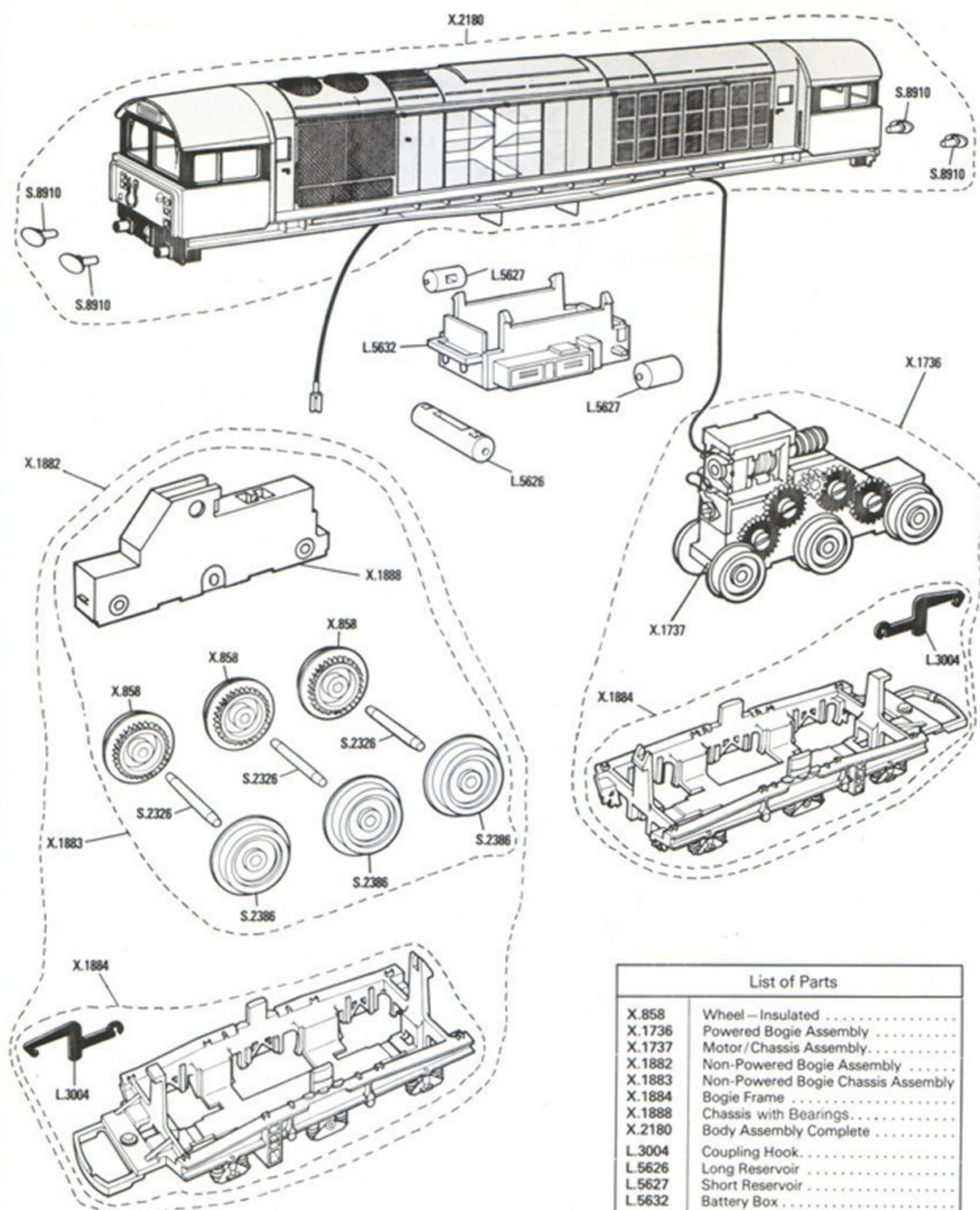


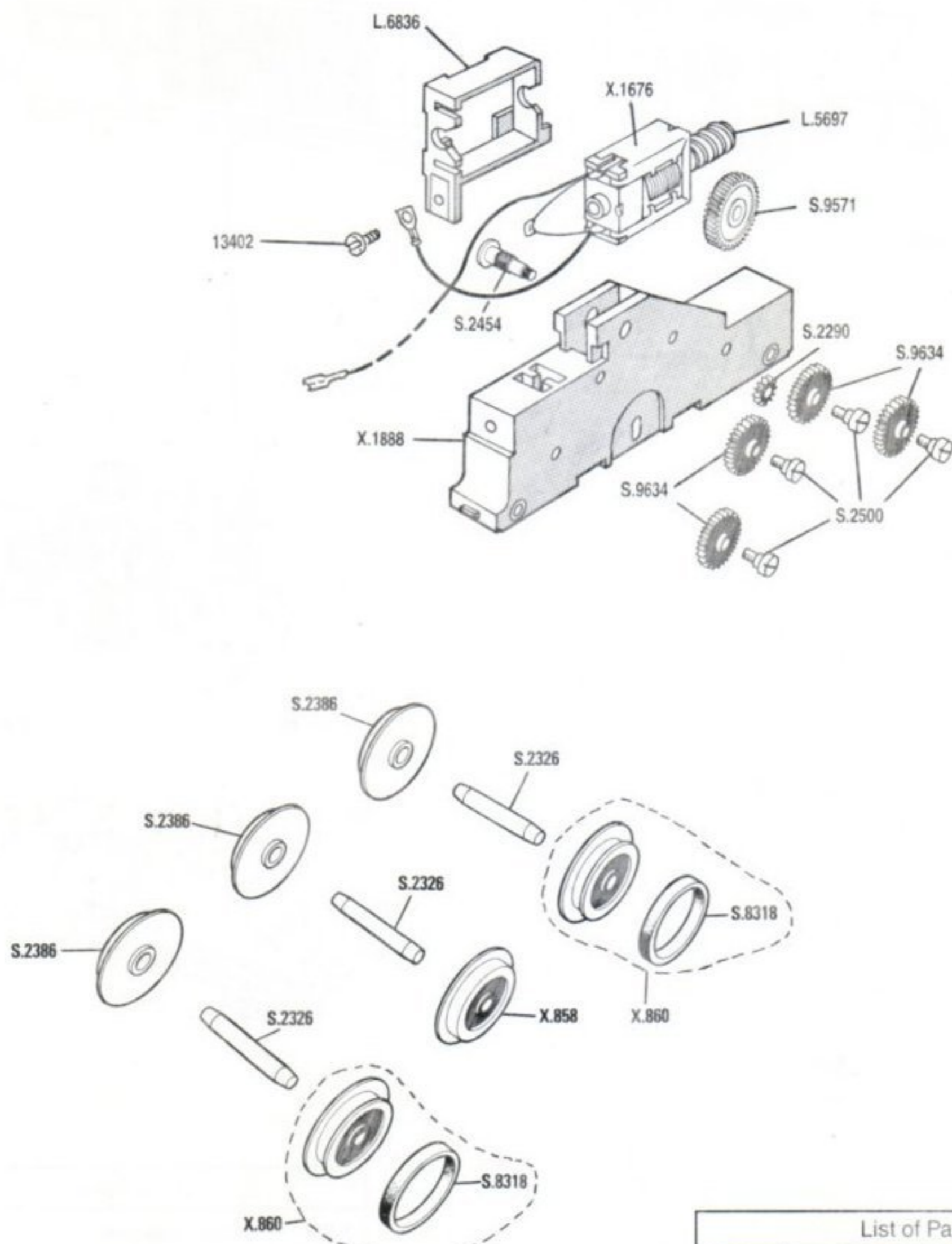
B.R. CLASS 58 LOCOMOTIVE — As produced from mid 1989



Modifications are made to models from time to time. If a spare part is required which does not coincide with the illustration, a full description should be given and, if necessary, a sketch or sample should accompany the order.

List of Parts	
X.858	Wheel — Insulated
X.1736	Powered Bogie Assembly
X.1737	Motor/Chassis Assembly
X.1882	Non-Powered Bogie Assembly
X.1883	Non-Powered Bogie Chassis Assembly
X.1884	Bogie Frame
X.1888	Chassis with Bearings
X.2180	Body Assembly Complete
L.3004	Coupling Hook
L.5626	Long Reservoir
L.5627	Short Reservoir
L.5632	Battery Box
S.2326	Axle
S.2386	Wheel — All Metal
S.8910	Oval Headed Buffer

MOTOR/CHASSIS ASSEMBLY X.1737 — For Class 58



List of Parts	
X.858	Wheel — Insulated
X.860	Wheel — Insulated/Tyred
X.1676	Motor with Worm Gear
X.1888	Chassis with Bearings
L.5697	Worm Gear
L.6836	Motor Retainer
S.2290	Pinion
S.2326	Axle
S.2386	Wheel — All Metal
S.2454	Worm Wheel Journal
S.2500	Gear Screw
S.8318	Traction Tyre
S.9571	Worm Wheel — 18 Tooth
S.9634	Spur Gear
13402	Screw