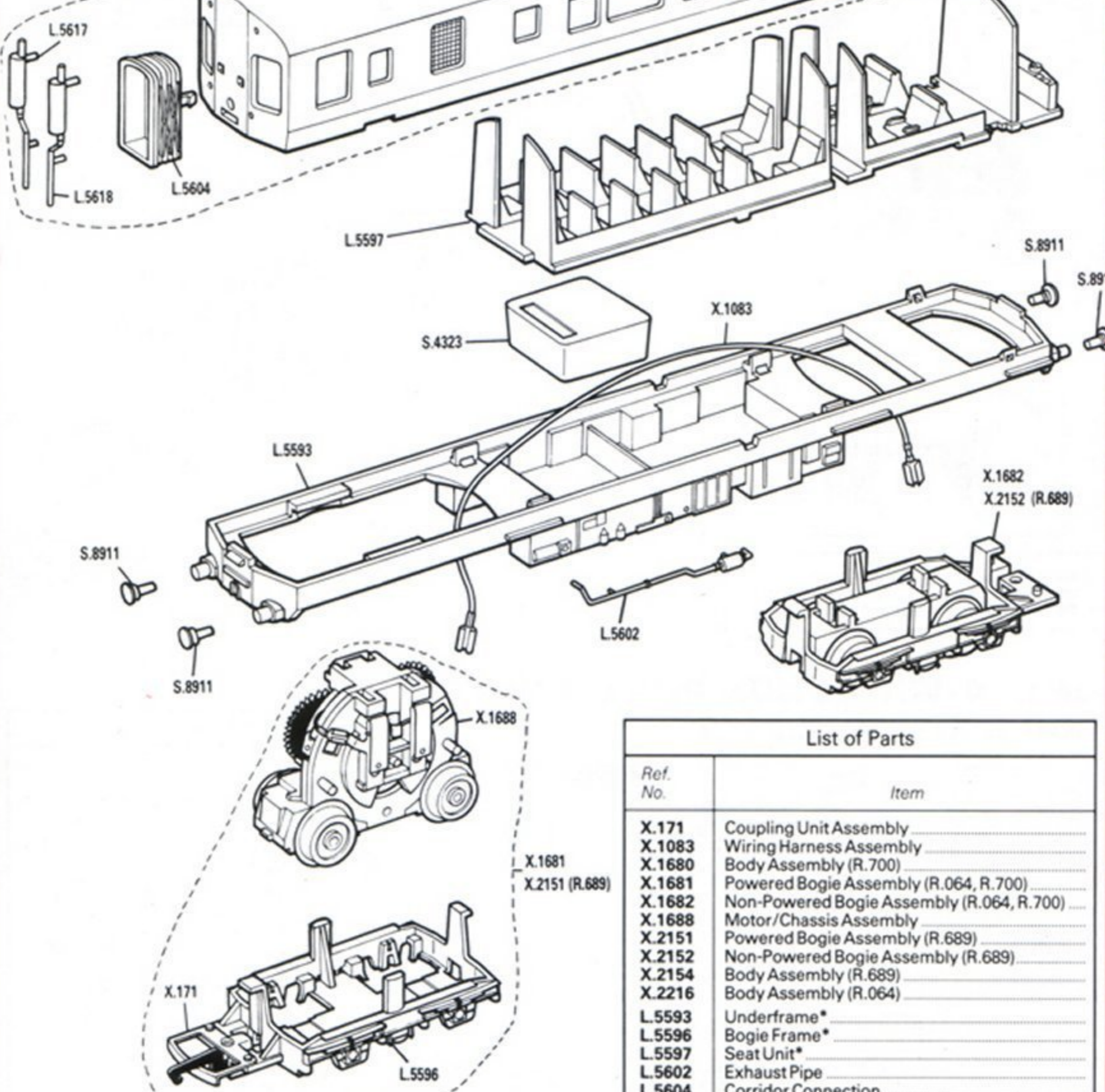


DMU MOTOR BRAKE CAR

R.064 Blue/Grey, R.689 Green, R.700 White
R.064 and R.700 have brown undergear R.689 has black

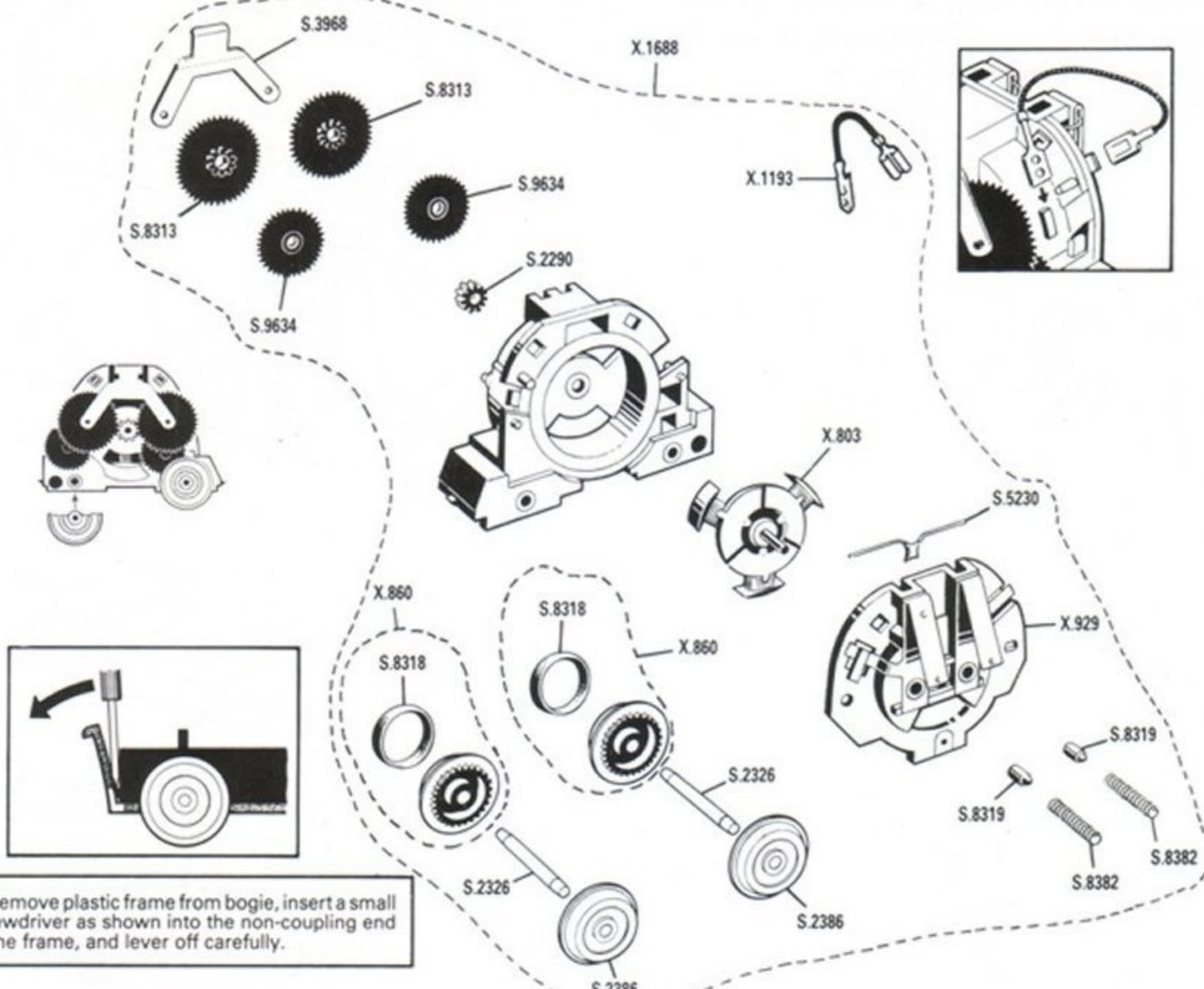
X.1680 (R.700)
X.2154 (R.689)
X.2216 (R.064)



List of Parts	
Ref. No.	Item
X.171	Coupling Unit Assembly
X.1083	Wiring Harness Assembly
X.1680	Body Assembly (R.700)
X.1681	Powered Bogie Assembly (R.064, R.700)
X.1682	Non-Powered Bogie Assembly (R.064, R.700)
X.1688	Motor/Chassis Assembly
X.2151	Powered Bogie Assembly (R.689)
X.2152	Non-Powered Bogie Assembly (R.689)
X.2154	Body Assembly (R.689)
X.2216	Body Assembly (R.064)
L.5593	Underframe*
L.5596	Bogie Frame*
L.5597	Seat Unit*
L.5602	Exhaust Pipe
L.5604	Corridor Connection
L.5617	Exhaust Pipe L.H.
L.5618	Exhaust Pipe R.H.
S.4323	Weight
S.8911	Buffer—Round Head

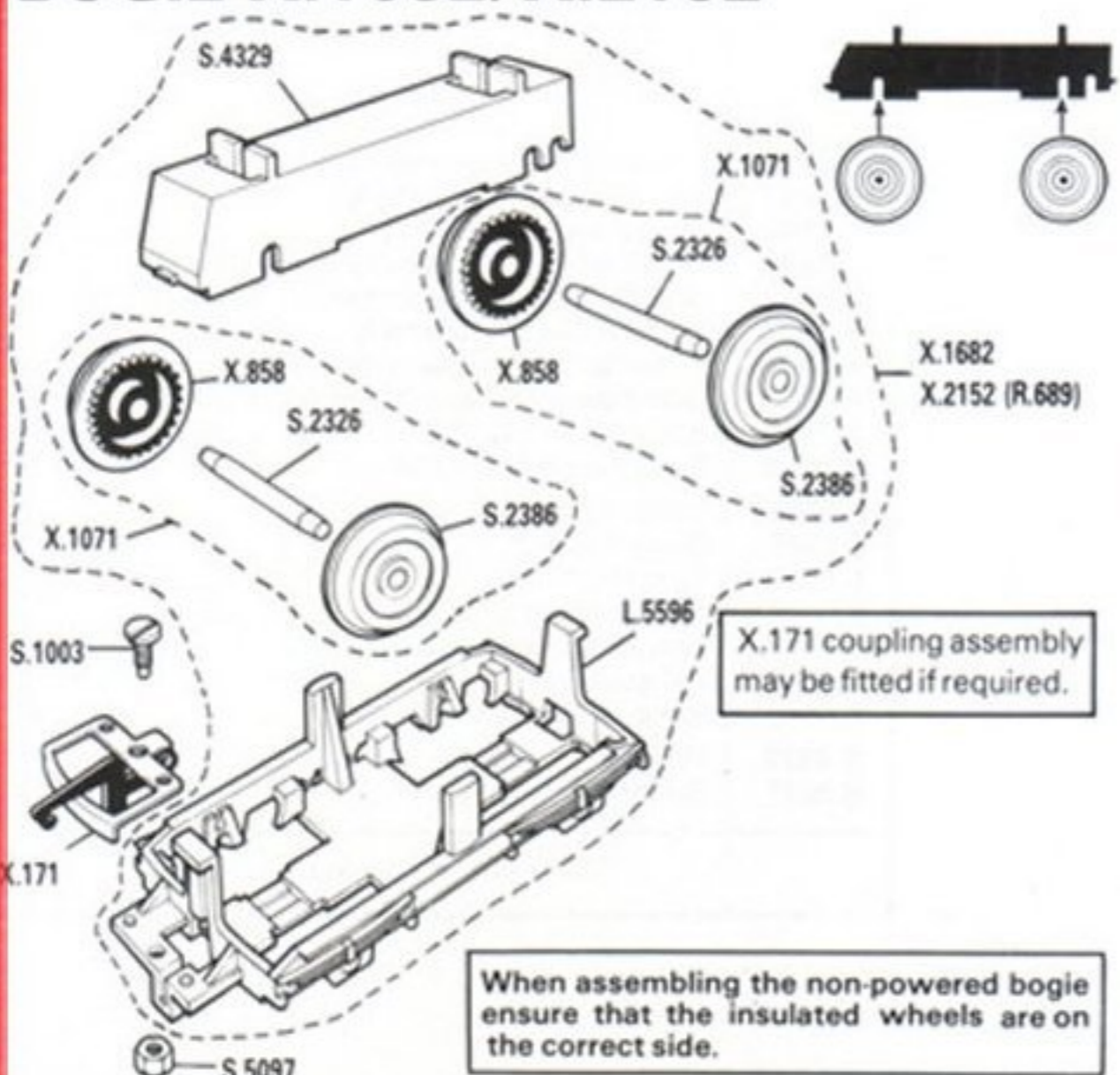
Modifications are made to models from time to time. If a spare part is required which does not coincide with the illustration, a full description should be given and, if necessary, a sketch or sample should accompany the order.

DMU 4-WHEEL POWERED BOGIE X.1688



To remove plastic frame from bogie, insert a small screwdriver as shown into the non-coupling end of the frame, and lever off carefully.

DMU 4-WHEEL NON-POWERED BOGIE X.1682/X.2152



X.171 coupling assembly may be fitted if required.

When assembling the non-powered bogie ensure that the insulated wheels are on the correct side.

List of Parts	
Ref. No.	Item
X.171	Coupling Unit Assembly
X.803	Armature Assembly
X.858	Wheel—Insulated
X.860	Wheel—Insulated/Tyred
X.929	Brush Retaining Arm Assembly
X.1071	Wheel/Axle Assembly
X.1193	Wire Lead Assembly
X.1682	Non-Powered Bogie Assembly (R.064, R.700)
X.1688	Motor/Chassis Assembly
X.2152	Non-Powered Bogie Assembly (R.689)
L.5596	Bogie Frame*
S.1003	Screw—Coupling Assembly
S.2290	Spur Gear—11 Tooth
S.2326	Axle
S.2386	Wheel—All Metal
S.3968	Gear Retainer
S.4329	Chassis—Non-Powered Bogie
S.5097	Nut—Coupling Assembly
S.5230	Suppressor
S.8313	Spur Gear—40/10 Tooth
S.8318	Traction Tyre
S.8319	Carbon Brush
S.8382	Brush Spring
S.9634	Spur Gear—28 Tooth

*State Colour Required