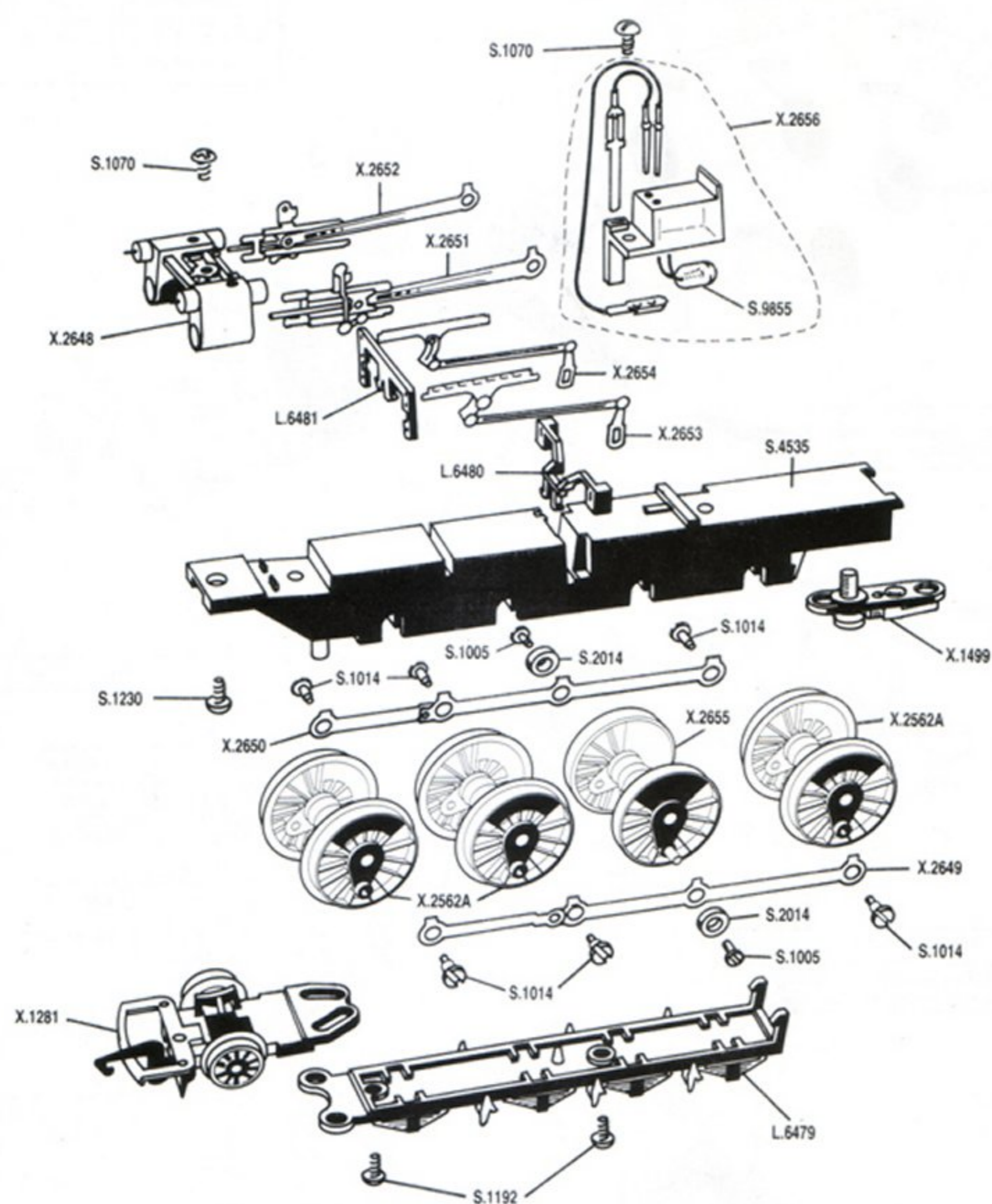
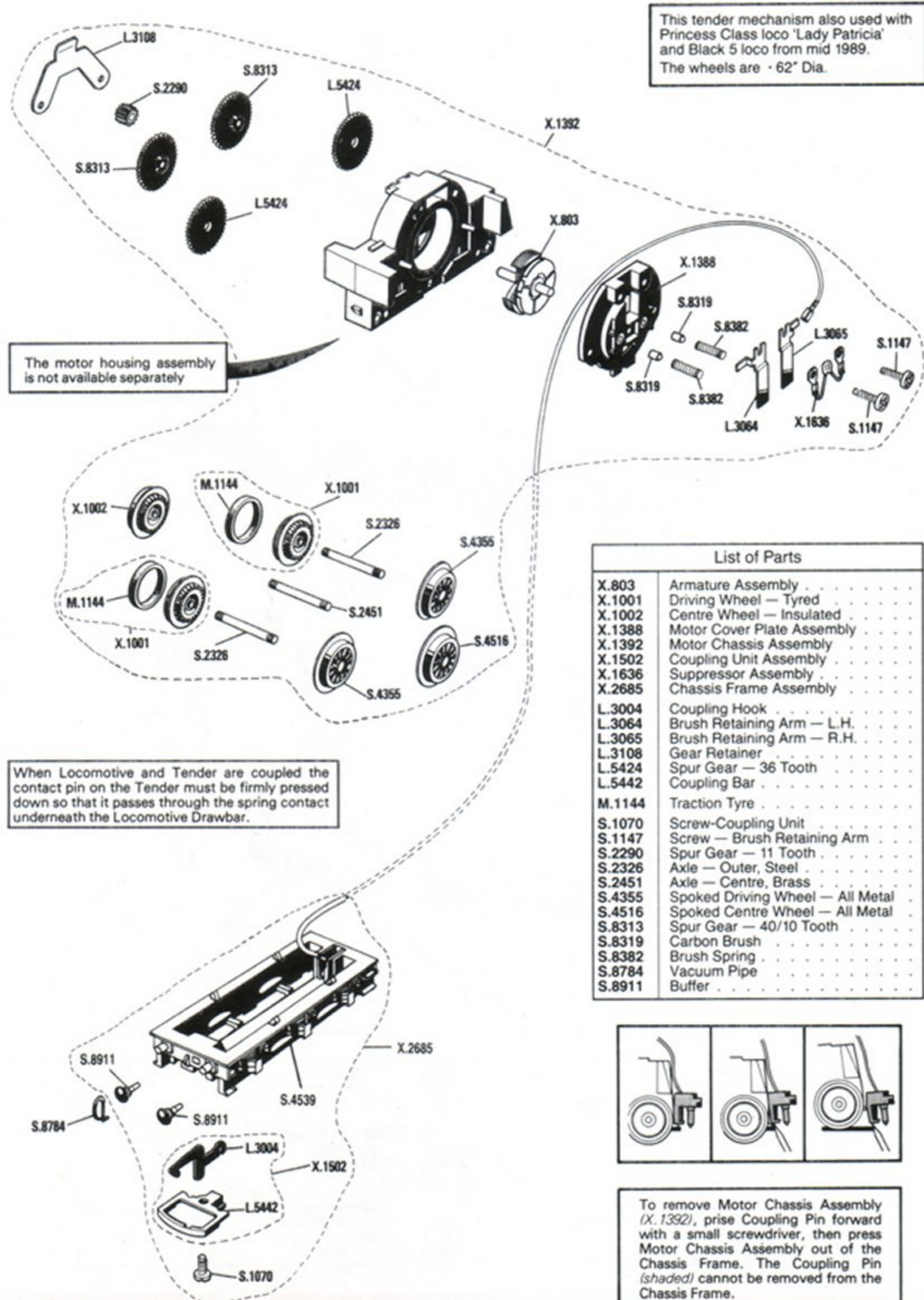


**CLASS 8F 2-8-0 LOCOMOTIVE**



List of Parts			
X.1281	Pony Truck	L.6479	Underframe
X.1499	Drawbar Assembly	L.6480	Rear Motion Bracket
X.2562A	Driving Wheel/Axle Assy. flanged	L.6481	Front Motion Bracket
X.2648	Cylinder Block	S.1005	Valve Gear Screw
X.2649	L/H Coupling Rods	S.1014	Coupling Rod Screw
X.2650	R/H Coupling Rods	S.1070	Screw
X.2651	L/H Connecting Rod Assy.	S.1192	Screw
X.2652	R/H Connecting Rod Assy.	S.1230	Body Fixing Screw
X.2653	L/H Link Assembly	S.2014	Distance Piece
X.2654	R/H Link Assembly	S.4535	Chassis Casting
X.2655	Driving Wheel/Axle Assy. unflanged	S.8911	Buffer (not illustrated)
X.2656	Firebox Glow Assembly	S.9855	Lamp Bulb

**TENDER FOR CLASS 8F LOCOMOTIVE**



List of Parts	
X.803	Armature Assembly
X.1001	Driving Wheel — Tyred
X.1002	Centre Wheel — Insulated
X.1388	Motor Cover Plate Assembly
X.1392	Motor Chassis Assembly
X.1502	Coupling Unit Assembly
X.1636	Suppressor Assembly
X.2685	Chassis Frame Assembly
L.3004	Coupling Hook
L.3064	Brush Retaining Arm — L.H.
L.3065	Brush Retaining Arm — R.H.
L.3108	Gear Retainer
L.5424	Spur Gear — 36 Tooth
L.5442	Coupling Bar
M.1144	Traction Tyre
S.1070	Screw-Coupling Unit
S.1147	Screw — Brush Retaining Arm
S.2290	Spur Gear — 11 Tooth
S.2326	Axle — Outer, Steel
S.2451	Axle — Centre, Brass
S.4355	Spoked Driving Wheel — All Metal
S.4516	Spoked Centre Wheel — All Metal
S.8313	Spur Gear — 40/10 Tooth
S.8319	Carbon Brush
S.8382	Brush Spring
S.8784	Vacuum Pipe
S.8911	Buffer