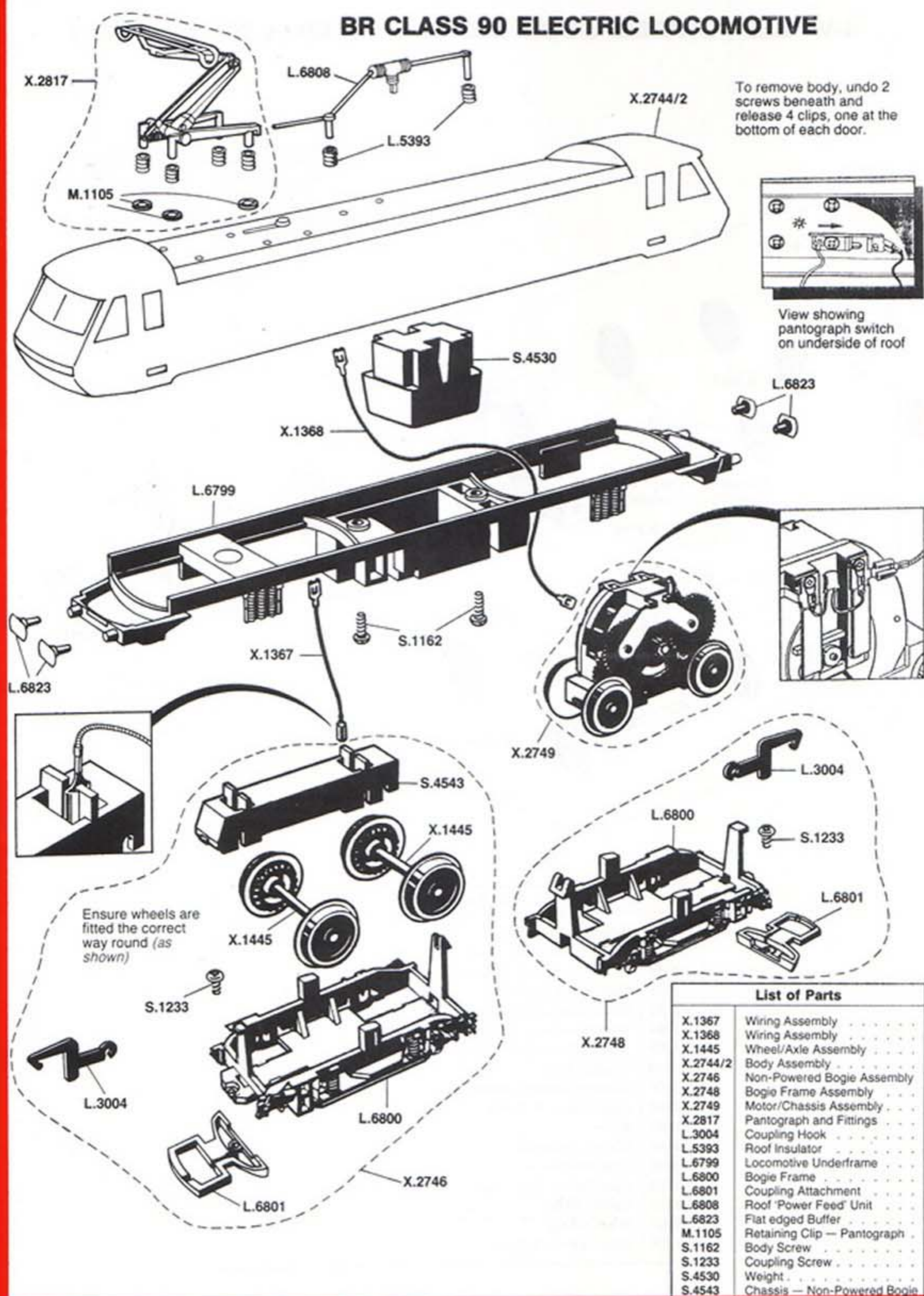
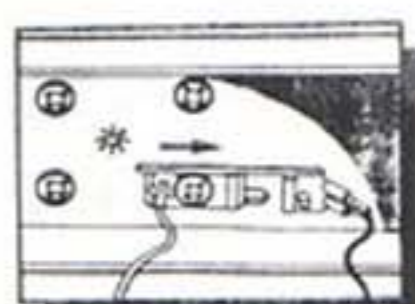


BR CLASS 90 ELECTRIC LOCOMOTIVE



To remove body, undo 2 screws beneath and release 4 clips, one at the bottom of each door.



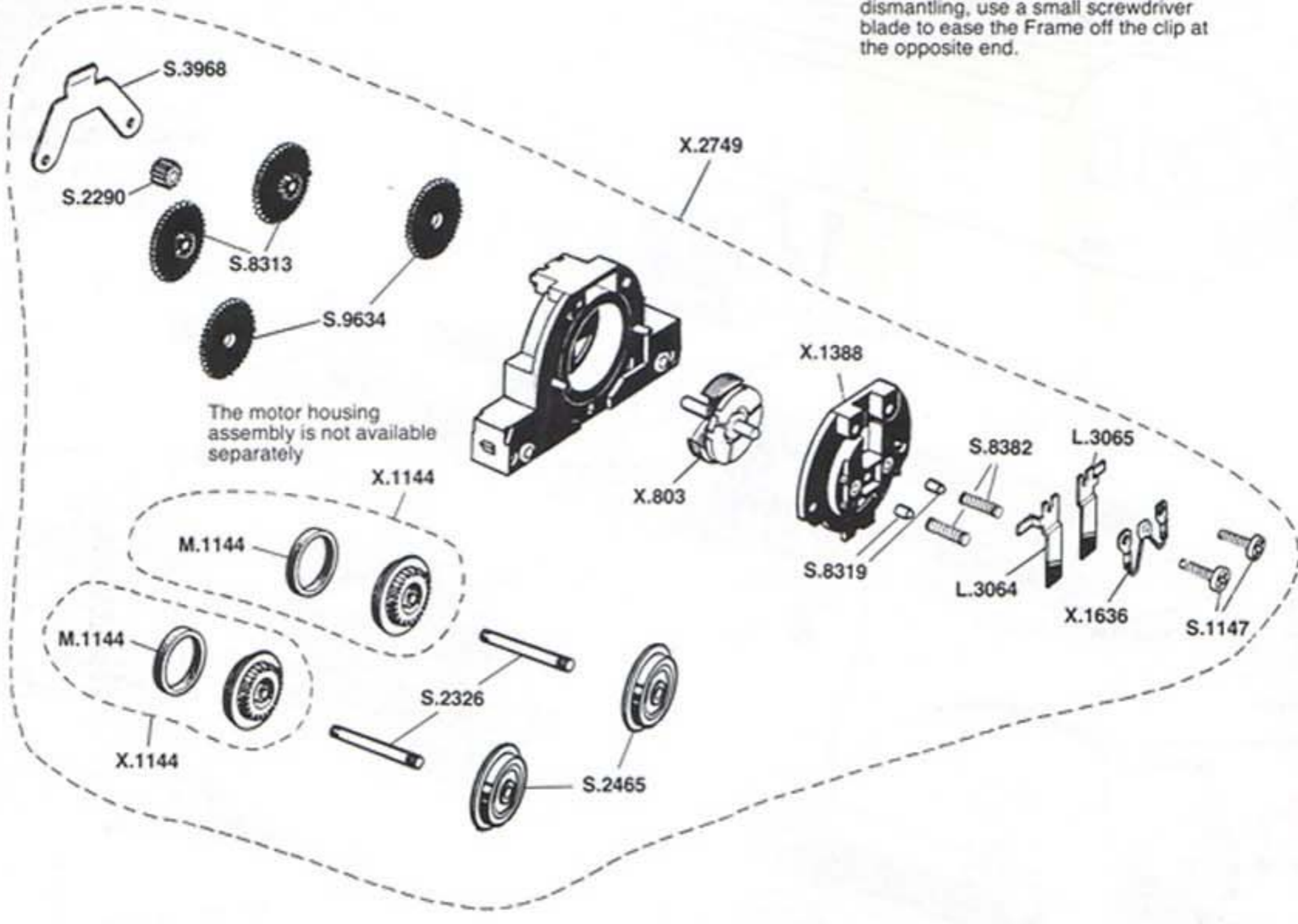
View showing pantograph switch on underside of roof

Ensure wheels are fitted the correct way round (as shown)

List of Parts	
X.1367	Wiring Assembly
X.1368	Wiring Assembly
X.1445	Wheel/Axle Assembly
X.2744/2	Body Assembly
X.2746	Non-Powered Bogie Assembly
X.2748	Bogie Frame Assembly
X.2749	Motor/Chassis Assembly
X.2817	Pantograph and Fittings
L.3004	Coupling Hook
L.5393	Roof Insulator
L.6799	Locomotive Underframe
L.6800	Bogie Frame
L.6801	Coupling Attachment
L.6808	Roof 'Power Feed' Unit
L.6823	Flat edged Buffer
M.1105	Retaining Clip — Pantograph
S.1162	Body Screw
S.1233	Coupling Screw
S.4530	Weight
S.4543	Chassis — Non-Powered Bogie

4-WHEEL POWERED BOGIE X.2749 — For Class 90 Locomotive

Powered and Non-Powered Bogie Chassis clip-fit into their Bogie Frames. When assembling, insert the sloping or cut-away end of the casting first. When dismantling, use a small screwdriver blade to ease the Frame off the clip at the opposite end.



The motor housing assembly is not available separately

List of Parts	
X.803	Armature Assembly
X.1144	Wheel — Insulated/Tyred
X.1388	Motor Cover Plate Assembly
X.1636	Suppressor Assembly
X.2749	Motor/Chassis Assembly
L.3064	Brush Retaining Arm — L.H.
L.3065	Brush Retaining Arm — R.H.
M.1144	Traction Tyre
S.1147	Screw — Brush Retaining Arm
S.2290	Spur Gear — 11 Tooth
S.2326	Axle
S.2465	Wheel — All Metal
S.3968	Gear Retainer
S.8313	Spur Gear — 40/10 Tooth
S.8319	Carbon Brush
S.8382	Brush Spring
S.9634	Spur Gear — 28 Tooth