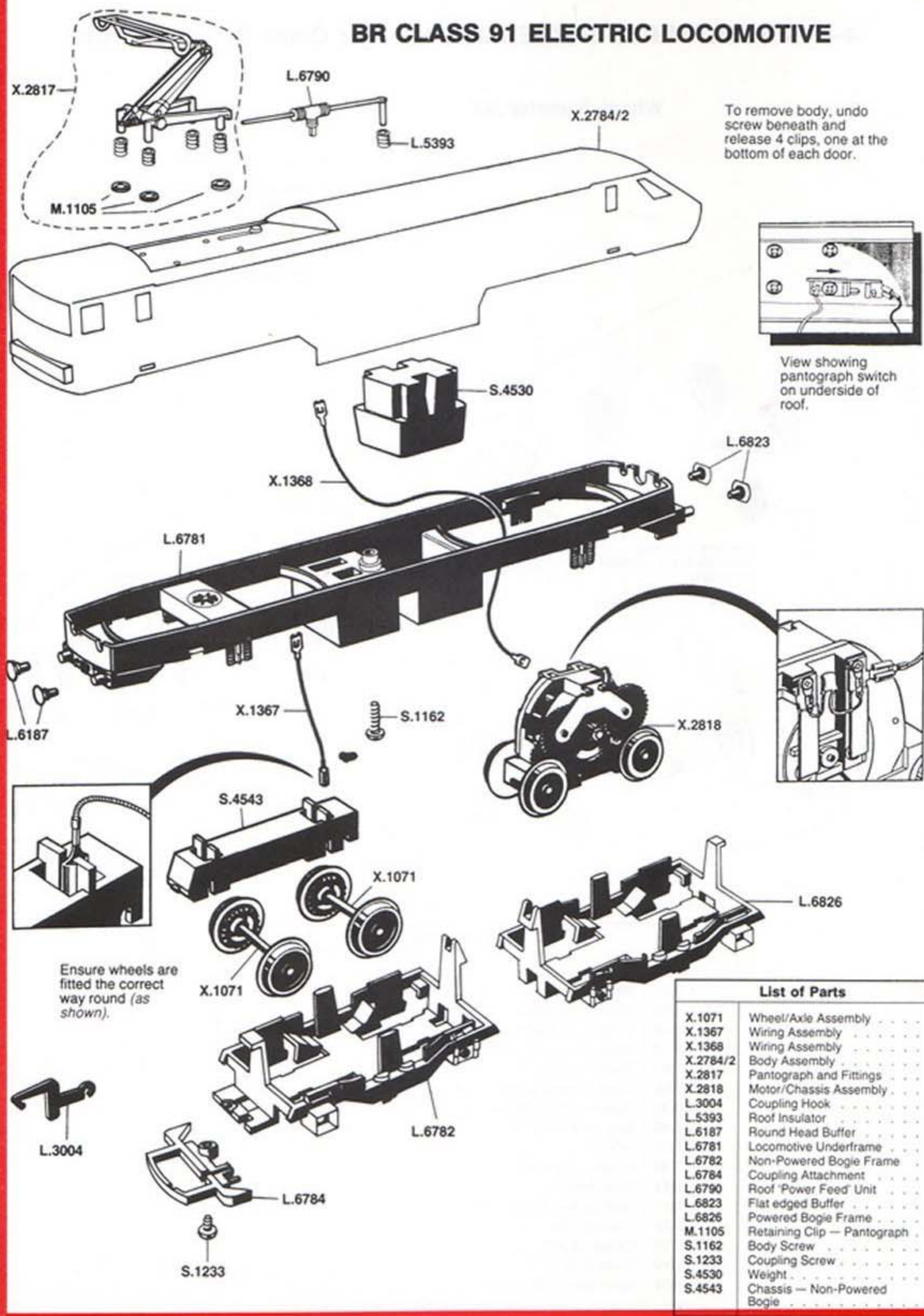
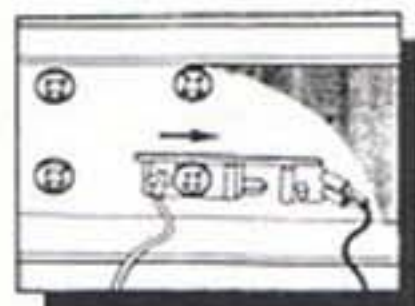


BR CLASS 91 ELECTRIC LOCOMOTIVE



To remove body, undo screw beneath and release 4 clips, one at the bottom of each door.



View showing pantograph switch on underside of roof.

Ensure wheels are fitted the correct way round (as shown).

List of Parts	
X.1071	Wheel/Axle Assembly
X.1367	Wiring Assembly
X.1368	Wiring Assembly
X.2784/2	Body Assembly
X.2817	Pantograph and Fittings
X.2818	Motor/Chassis Assembly
L.3004	Coupling Hook
L.5393	Roof Insulator
L.6187	Round Head Buffer
L.6781	Locomotive Underframe
L.6782	Non-Powered Bogie Frame
L.6784	Coupling Attachment
L.6790	Roof 'Power Feed' Unit
L.6823	Flat edged Buffer
L.6826	Powered Bogie Frame
M.1105	Retaining Clip — Pantograph
S.1162	Body Screw
S.1233	Coupling Screw
S.4530	Weight
S.4543	Chassis — Non-Powered Bogie



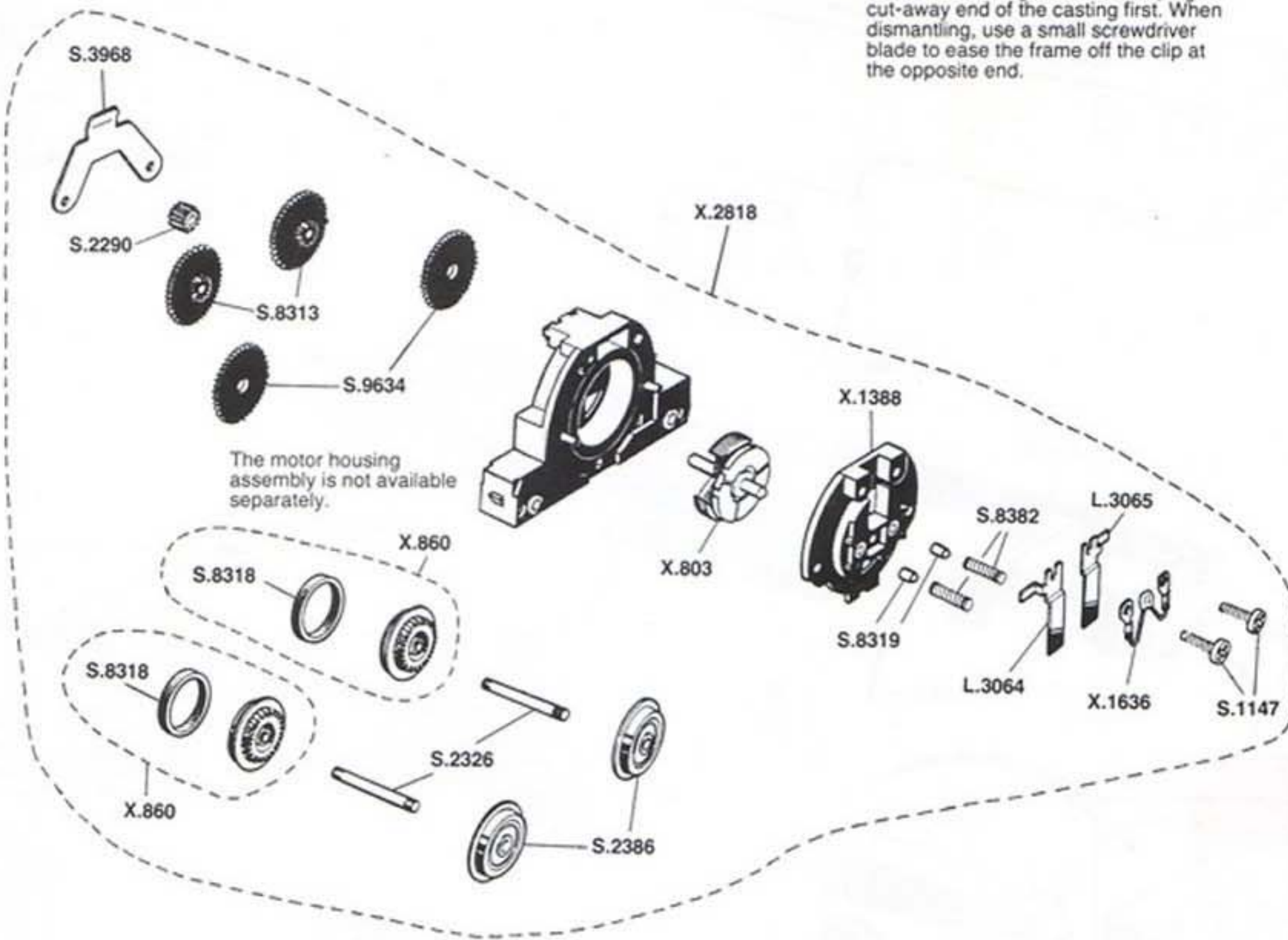
Westwood, Margate, Kent, CT9 4JX, England.

SERVICE SHEET No. 147
Issued November 1989

4-WHEEL POWERED BOGIE X.2818 — For Class 91 Locomotive

Wheel diameter .52"

Powered and Non-Powered Bogie Chassis clip-fit into their Bogie Frames. When assembling, insert the sloping or cut-away end of the casting first. When dismantling, use a small screwdriver blade to ease the frame off the clip at the opposite end.



The motor housing assembly is not available separately.

List of Parts	
X.803	Armature Assembly
X.860	Wheel — Insulated/Tyred
X.1388	Motor Cover Plate Assembly
X.1636	Suppressor Assembly
X.2818	Motor/Chassis Assembly
L.3064	Brush Retaining Arm — L.H.
L.3065	Brush Retaining Arm — R.H.
S.1147	Screw — Brush Retaining Arm
S.2290	Spur Gear — 11 Tooth
S.2326	Axle
S.2386	Wheel — All Metal
S.3968	Gear Retainer
S.8313	Spur Gear — 40/10 Tooth
S.8318	Traction Tyre
S.8319	Carbon Brush
S.8382	Brush Spring
S.9634	Spur Gear — 28 Tooth