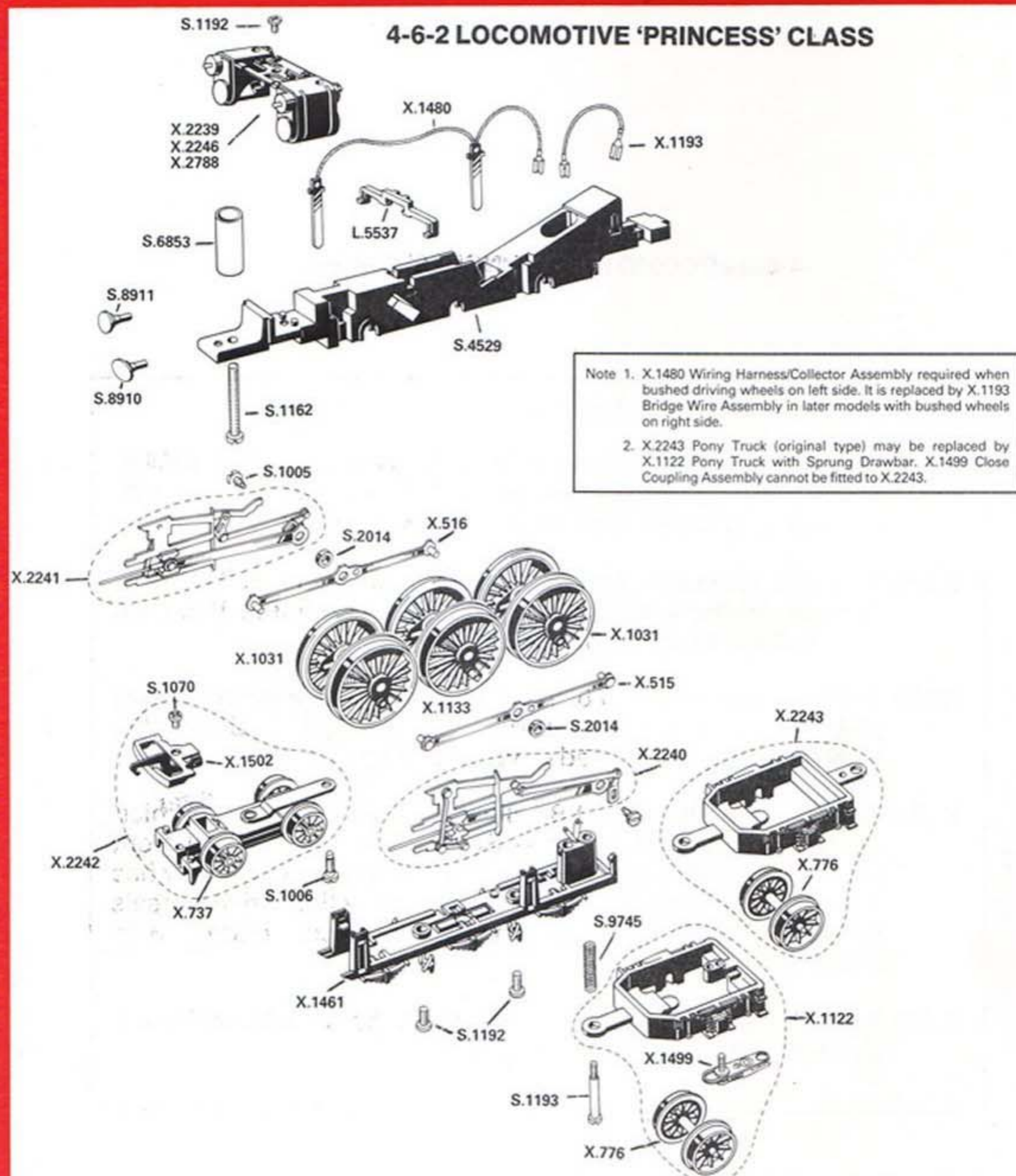


4-6-2 LOCOMOTIVE 'PRINCESS' CLASS



Note 1. X.1480 Wiring Harness/Collector Assembly required when bushed driving wheels on left side. It is replaced by X.1193 Bridge Wire Assembly in later models with bushed wheels on right side.
 2. X.2243 Pony Truck (original type) may be replaced by X.1122 Pony Truck with Sprung Drawbar. X.1499 Close Coupling Assembly cannot be fitted to X.2243.

X.515	Coupling Rod - LH	X.2243	Pony Truck Assembly
X.516	Coupling Rod - RH	X.2246	Cylinder Block Assembly - BR Orange lining
X.737	Bogie Wheel	X.2788	Cylinder Block Assembly - BR White lining
X.776	Pony Truck Wheel Assembly	L.5537	Motion Bracket
X.1031	Driving Wheel/Axle Assembly	S.1005	Screw - Valve Gear
X.1122	Pony Truck Assembly with Sprung Drawbar	S.1006	Screw - Bogie Fixing
X.1133	Centre Driving Wheel/Axle Assembly	S.1070	Screw - Coupling Unit
X.1193	Bridge Wire Assembly	S.1162	Screw - Body Fixing
X.1461	Underframe	S.1192	Screw - Miscellaneous
X.1480	Wiring Harness/Collector Assembly	S.1193	Screw - Pony Truck
X.1499	Close Coupling Assembly	S.2014	Distance Piece
X.1502	Coupling Unit	S.4529	Chassis
X.2239	Cylinder Block Assembly - LMS	S.6853	Spacer
X.2240	Valve Gear Assembly - LH	S.8910	Buffer - Oval Head
X.2241	Valve Gear Assembly - RH	S.8911	Buffer - Round Head
X.2242	Bogie Assembly	S.9745	Spring

HORNBY RAILWAYS

4-6-2 LOCOMOTIVE 'PRINCESS' CLASS

Produced in the following versions:

- R.050 'The Princess Royal' No 6200 LMS Crimson lake livery 1984-5. Has 'Fowler' tender as Compound loco - Service Sheet 134. Round front buffers. Bushed drive wheels on Left.
- R.080 'Princess Elizabeth' No 46201 BR Green livery 1984-5. Has 'Stanier' tender with plastic frame - Service Sheet 104. Oval front buffers. Bushed drive wheels on Left.
- R.832 'Princess Elizabeth' No 6201. LMS Crimson lake livery 1986-8. Has 'Stanier' tender with plastic frame - Service Sheet 104. Oval front buffers. Bushed drive wheels on Left.
- R.037 'Lady Patricia' No. 46210 BR Blue livery 1989-91. Has 'Stanier' tender with diecast frame - Service Sheet 145. Oval front buffers, spring loaded drawbar. 1989 production normally has bushed drive wheels on left. 1990 production drive wheels reversed, collectors and harness omitted, bridge wire assembly added.
- R.375 'Lady Patricia' No. 6210 LMS Crimson Lake 1990. Specification as R.037 1990. Special limited edition.