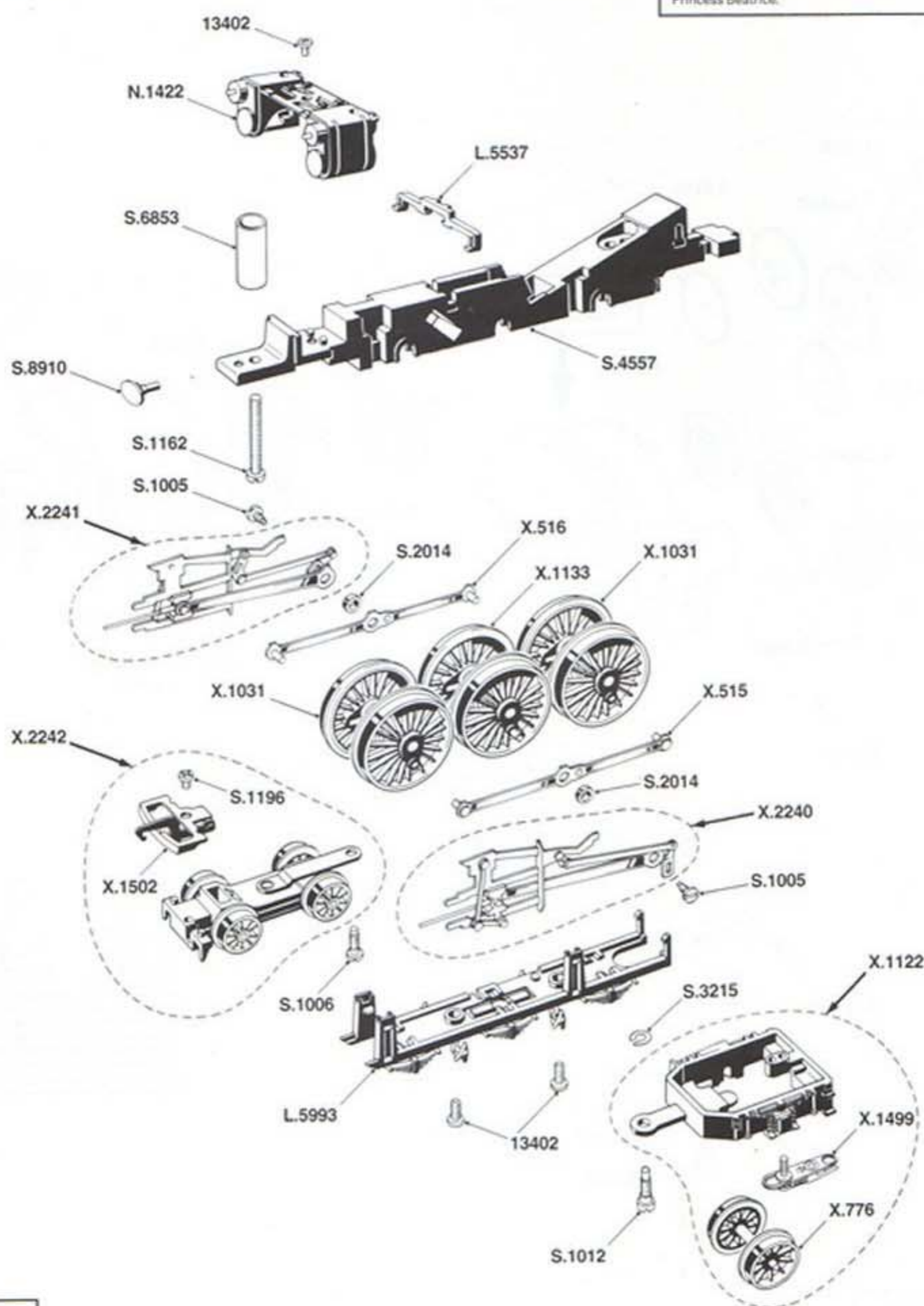


4-6-2 LOCOMOTIVE 'PRINCESS' CLASS

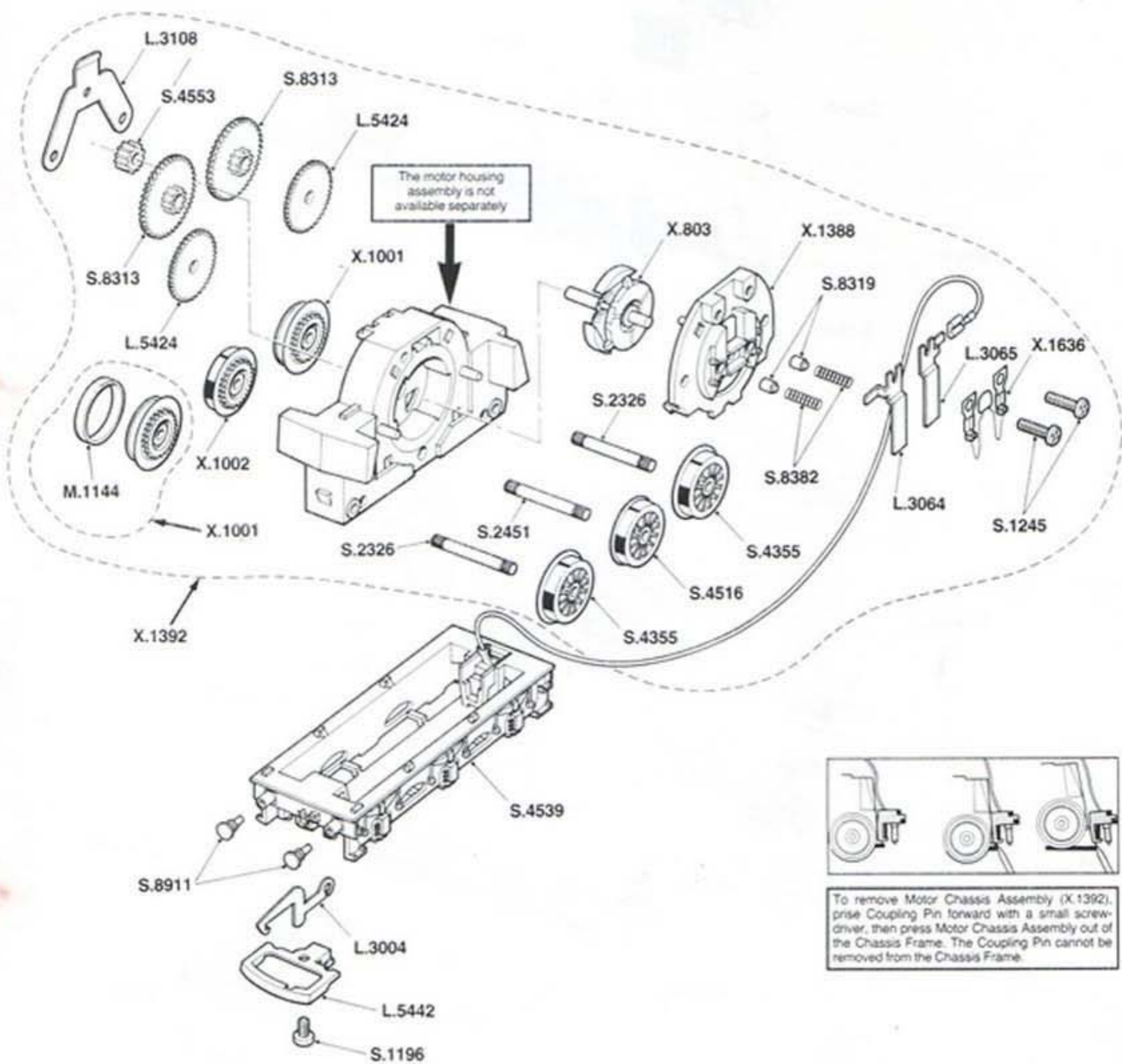
Locomotives of this class modelled by Hornby: Princess Elizabeth, The Princess Royal, Lady Patricia, Princess Beatrice.



List of Parts

Ref. No.	Item	Ref. No.	Item	Ref. No.	Item
X.515	Coupling Rod L/H.....	X.2240	Valve Gear Assembly L/H.....	S.1006	Screw - Bogie Fixing.....
X.516	Coupling Rod R/H.....	X.2241	Valve Gear Assembly R/H.....	S.1012	Screw - Pony Truck.....
X.776	Wheel/Axle Assembly.....	X.2242	Bogie Assembly.....	S.1162	Screw - Body Fixing.....
X.1031	Driving Wheel/Axle Assembly...	L.5537	Motion Bracket.....	S.1196	Screw - Coupling.....
X.1122	Pony Truck Assembly.....	L.5993	Underframe.....	S.2014	Distance Piece.....
X.1133	Centre Driving Wheel/Axle Assy	N.1422	Cylinder Block Assembly.....	S.3215	Washer.....
X.1499	Close Coupling Assembly.....	S.1005	Screw - Valve Gear.....	S.4557	Chassis.....
X.1502	Coupling Unit.....			S.6853	Spacer.....
				S.8910	Buffer - Oval Head.....
				13402	Screw - Miscellaneous.....

TENDER for LOCOMOTIVE 'PRINCESS' CLASS



List of Parts

Ref. No.	Item	Ref. No.	Item	Ref. No.	Item
X.803	Armature/Commutator.....	L.3108	Gear Retainer.....	S.4355	Driving Wheel - Metal.....
X.1001	Driving Wheel - Tyred.....	L.5424	Spur Gear - 36 Tooth.....	S.4516	Centre Wheel - Metal.....
X.1002	Driving Wheel - Centre.....	L.5442	Coupling Bar.....	S.4539	Chassis Frame.....
X.1388	Cover Plate Assembly.....	M.1144	Traction Tyre.....	S.4553	Spur Gear - 11 Tooth.....
X.1392	Motor/Chassis Assembly.....	S.1196	Screw - Coupling.....	S.8319	Spur Gear - 40/10 Tooth.....
X.1636	Suppressor Assembly.....	S.1245	Screw - Brushgear.....	S.8382	Carbon Brush.....
L.3004	Coupling Hook.....	S.2326	Axle - Outer, Steel.....	S.8911	Brush Spring.....
L.3064	L/H Brush Retaining Arm.....	S.2451	Axle - Centre, Brass.....		Buffer - Round Head.....
L.3065	R/H Brush Retaining Arm.....				