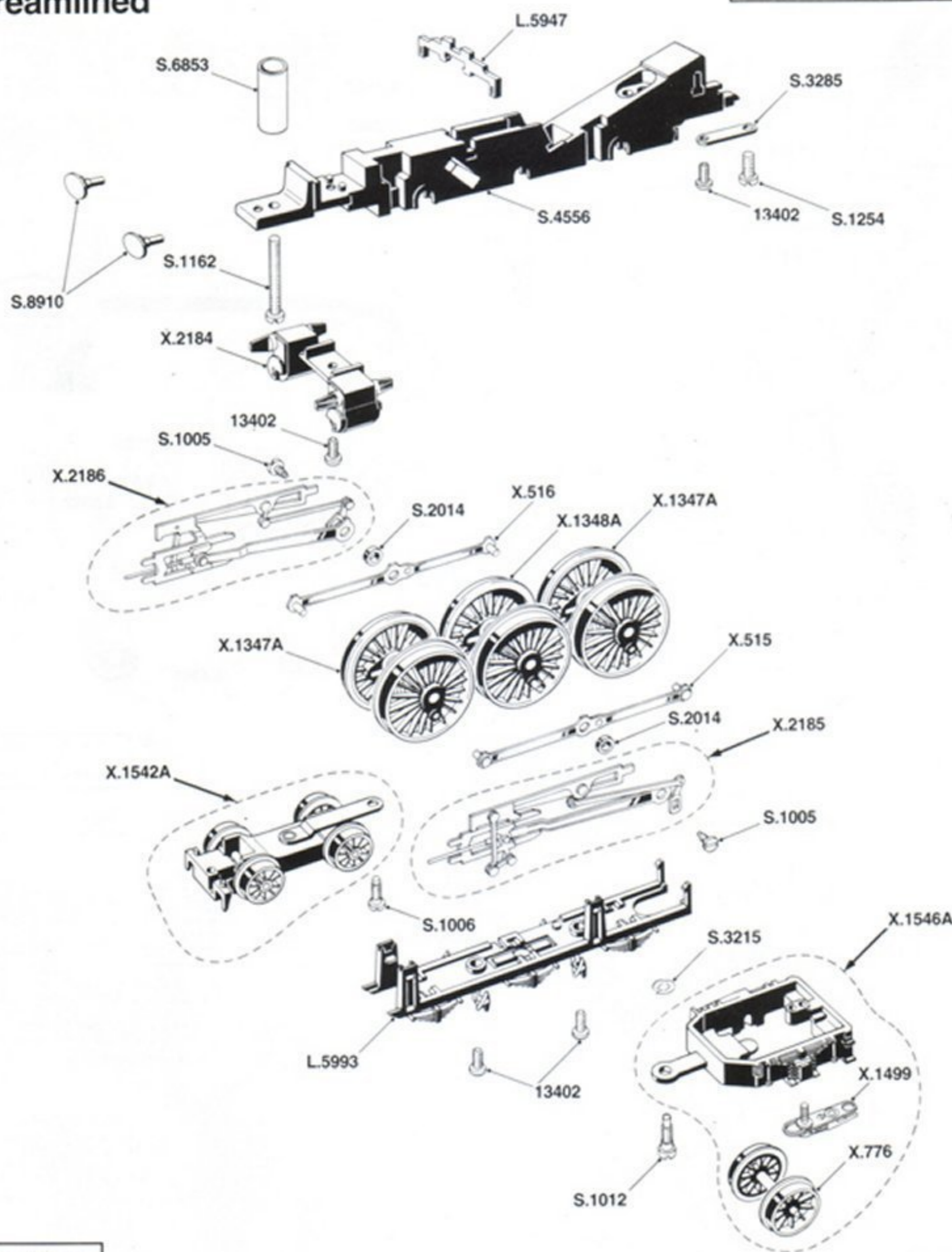


4-6-2 LOCOMOTIVE 'CORONATION' CLASS Streamlined

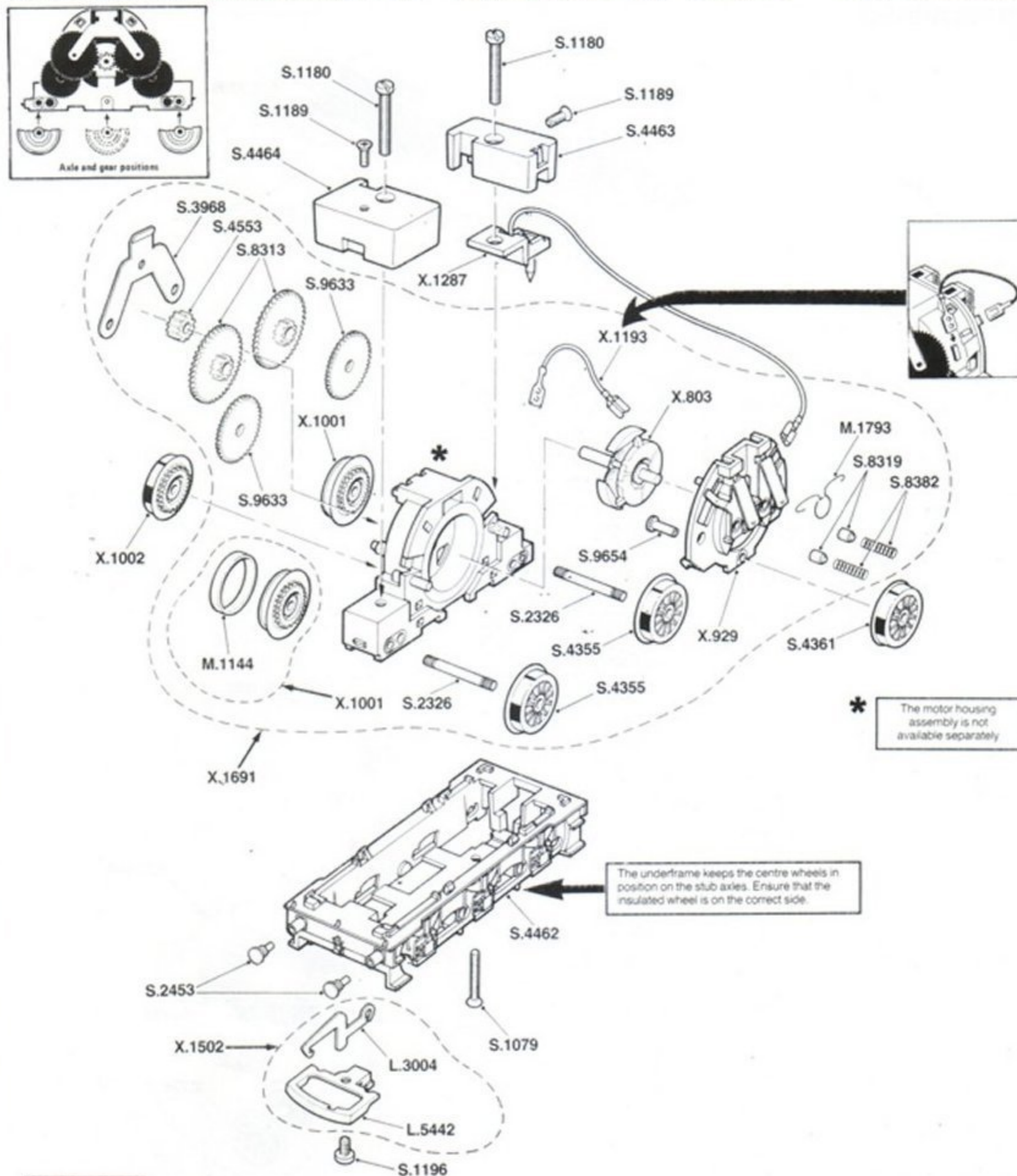
Locomotives of this class modelled by Hornby: Coronation, Queen Mary, King George VI, City of Bristol



List of Parts

Ref. No.	Item	Ref. No.	Item	Ref. No.	Item
X.515	Coupling Rod L/H.....	X.2186	Valve Gear Assembly R/H.....	S.1012	Screw - Pony Truck.....
X.516	Coupling Rod R/H.....	L.5947	Motion Bracket.....	S.1162	Screw - Body Fixing, Front.....
X.776	Wheel/Axle Assembly.....	L.5993	Underframe.....	S.1254	Screw - Body Fixing, Rear.....
X.1347A	Driving Wheel/Axle Assy.....	S.1005	Screw - Valve Gear.....	S.2014	Distance Piece.....
X.1348A	Centre Driving Wheel/Axle Assy.....	S.1006	Screw - Bogie Fixing.....	S.3215	Washer.....
X.1499	Close Coupling Assembly.....			S.3285	Body/Chassis Link.....
X.1542A	Bogie Assembly.....			S.4556	Chassis.....
X.1546A	Pony Truck Assembly.....			S.6853	Spacer.....
X.2184	Cylinder Block.....			S.8910	Buffer - Oval Head.....
X.2185	Valve Gear Assembly L/H.....			13402	Screw - Miscellaneous.....

TENDER for LOCOMOTIVE 'CORONATION' CLASS - Streamlined



List of Parts

Ref. No.	Item	Ref. No.	Item	Ref. No.	Item
X.803	Armature/Commutator.....	M.1144	Traction Tyre.....	S.4361	Centre Wheel - Metal.....
X.929	Brush Retaining Arm Assy.....	M.1793	Suppressor.....	S.4462	Chassis Frame.....
X.1001	Driving Wheel - Tyred.....	S.1079	Screw - Motor/Chassis.....	S.4463	Weight - Front.....
X.1002	Driving Wheel - Centre.....	S.1180	Screw - Motor/Chassis.....	S.4464	Weight - Rear.....
X.1193	Wire Lead Assembly.....	S.1189	Screw - Body Fixing.....	S.4553	Spur Gear - 11 Tooth.....
X.1287	Coupling Pin Assembly.....	S.1196	Screw - Coupling.....	S.8313	Spur Gear - 40/10 Tooth.....
X.1502	Coupling Unit.....	S.2326	Axle.....	S.8319	Carbon Brush.....
X.1691	Motor/Chassis Assembly.....	S.2453	Buffer - Round Head.....	S.8382	Brush Spring.....
L.3004	Coupling Hook.....	S.3968	Gear Retainer.....	S.9633	Spur Gear - 33 Tooth.....
L.5442	Coupling Bar.....	S.4355	Driving Wheel - Metal.....	S.9654	Stub Axle.....