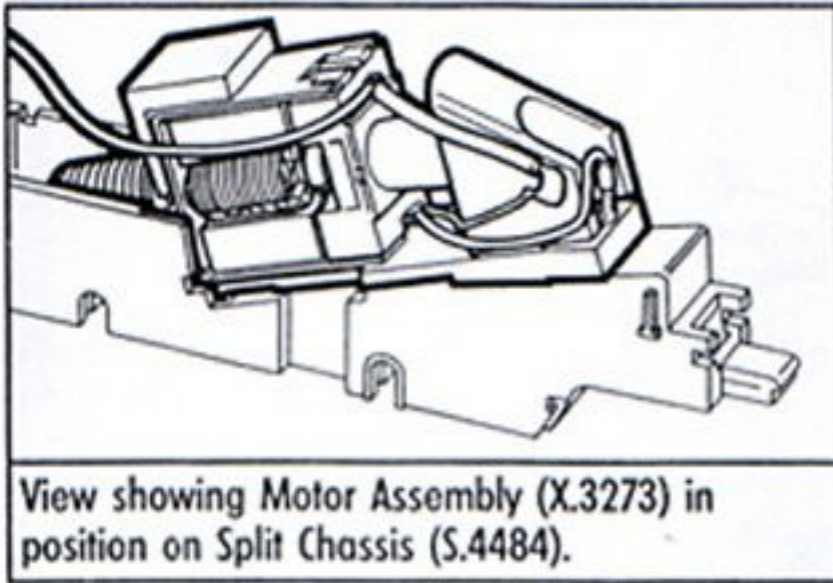
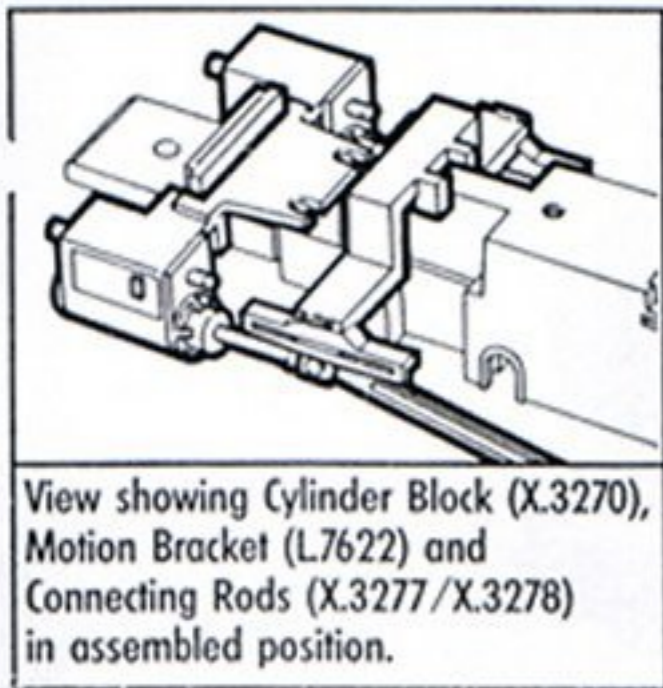


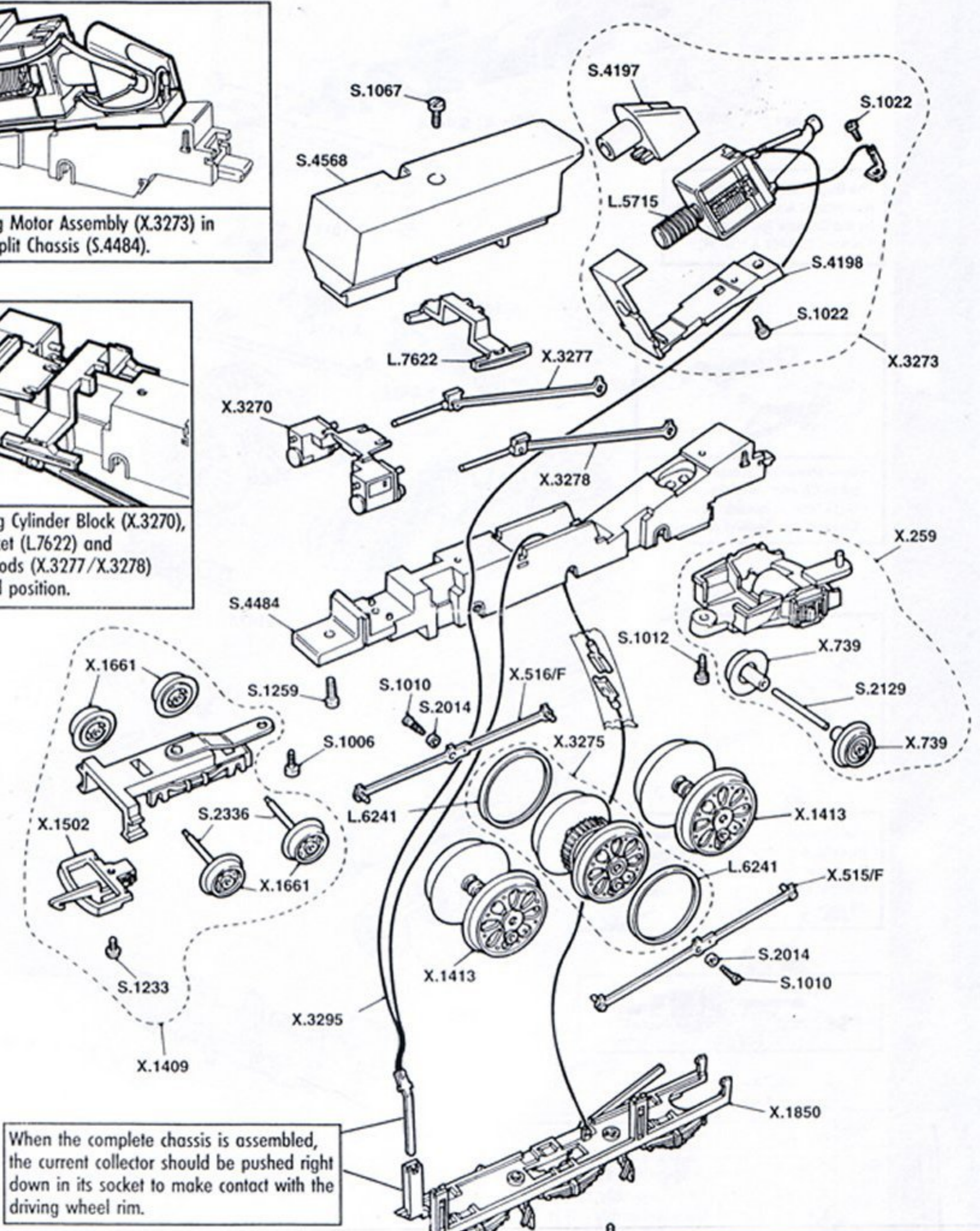
## 4-6-2 LOCOMOTIVE "WEST COUNTRY/BATTLE OF BRITAIN" CLASS



View showing Motor Assembly (X.3273) in position on Split Chassis (S.4484).



View showing Cylinder Block (X.3270), Motion Bracket (L.7622) and Connecting Rods (X.3277/X.3278) in assembled position.



When the complete chassis is assembled, the current collector should be pushed right down in its socket to make contact with the driving wheel rim.

**NOTE:**  
X.515/F and X.516/F coupling rods have a slight convex curved form when viewed from outside the locomotive.