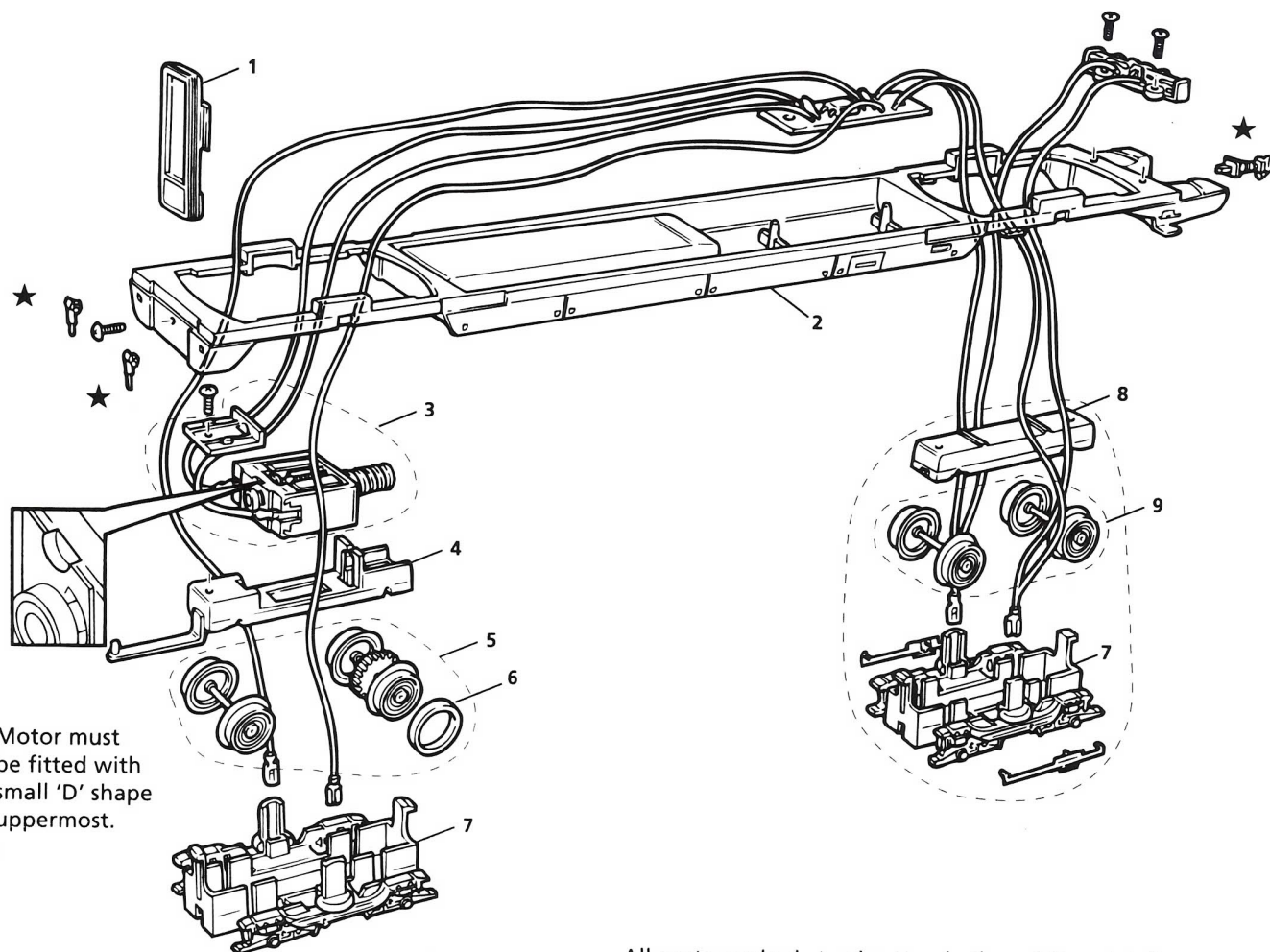


DRIVING MOTOR STANDARD



Motor must be fitted with small 'D' shape uppermost.

All parts marked ★, plus Handrails and Pipe detail on body, are contained in X8208 small parts pack.
A full set of screws is supplied in X8210 screw pack.

LIST OF SPARES

LIST OF SPARES			PART NUMBER
m No.	Description	Pack	R2001
1	Corridor Connection	1	L7873
2	Underframe Assembly Complete	1	X8207
3	Motor / Worm and Retainer	1 + 1	X8211
4	Motor Chassis	1	S4591BK
5	Power Bogie Wheel / Axle Set	set	X8212
6	Traction Tyres	4	X6030
7	Bogie Surround with Collectors	1	X8209
8	Dummy Bogie Chassis	1	S4592
9	Dummy Bogie Wheel / Axle Set	set	X6029
★	Small Parts Pack	set	X8208
not illustrated	Screw Pack	set	X8210
not illustrated	Destination Board Sheet	1	M3735
DRIVING TRAILER STANDARD			
not illustrated	Non-Motor Bogie Complete	1	X3567