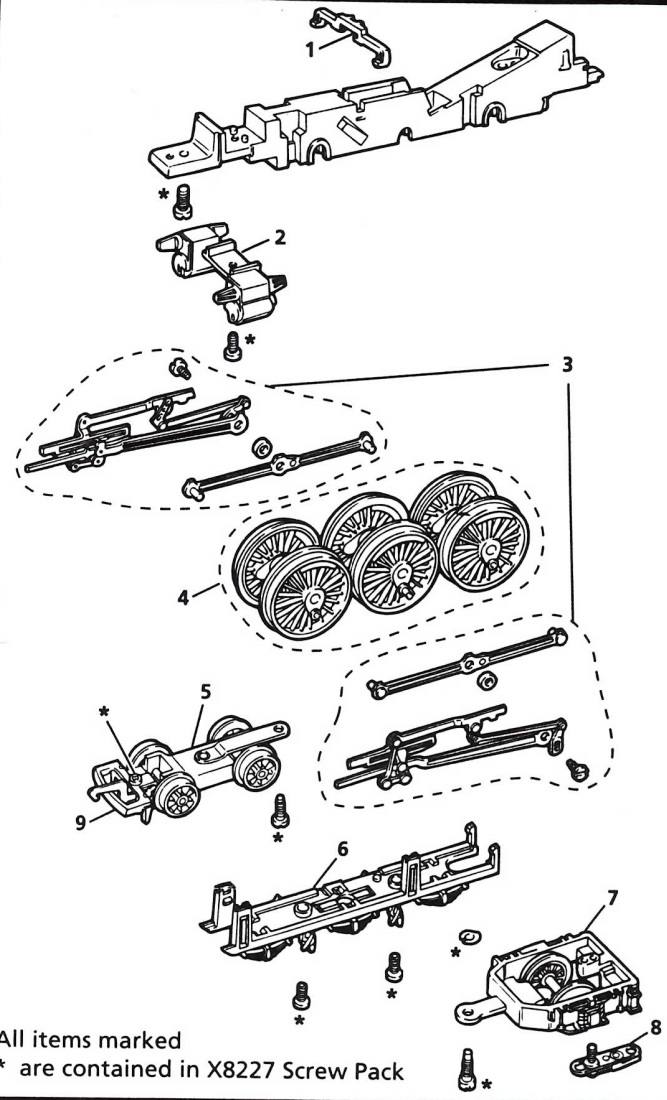
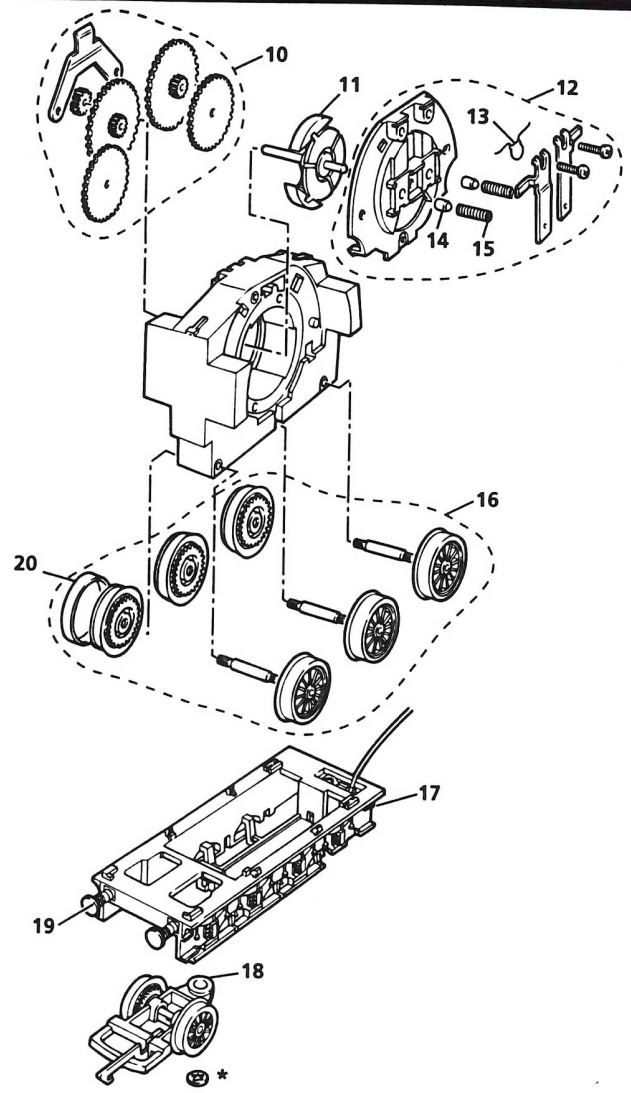


LOCOMOTIVE



All items marked * are contained in X8227 Screw Pack

TENDER



LIST OF SPARES

| tem No. | Description | Pack | R398 | R2020 / R078 / R295 |
|-----------------|----------------------------------|-------|---------|---------------------|
| 1 | Motion Bracket | 1 | L5537 | L5537 |
| 2 | Cylinder Block | 1 | X1544/9 | X1544/9 |
| 3 | Coupling Rod / Valve Gear Pack | set | X8224 | X8224 |
| 4 | Locomotive Wheel / Axle Set | set | X8222 | X8223 |
| 5 | Front Bogie | 1 | X1542 | X1548 |
| 6 | Chassis Bottom | 1 | L7755/1 | L7755/1 |
| 7 | Pony Truck | 1 | X1546/1 | X1122/1 |
| 8 | Close Coupling Assembly | 1 | X1499 | X1499 |
| 9 | Coupling Unit | 10 | X8031 | X8031 |
| 10 | Ringfield Gear Set | set | X6021 | X6021 |
| 11 | Armature / Commutator Assembly | 1 | X803 | X803 |
| 12 | Ringfield Cover Plate Set | set | X6022 | X6022 |
| 13 | Capacitor | 10 | X8032 | X8032 |
| 14 | Carbon Brush | 10 | X8026 | X8026 |
| 15 | Brush Spring | 10 | X8027 | X8027 |
| 16 | Ringfield Drive Wheel / Axle Set | set | X8226 | X8226 |
| 17 | Tender Chassis Complete | 1 | X8225 | X8225 |
| 18 | Tender Pony Truck Complete | 1 | X1360 | X1360 |
| 19 | Buffers | 10 | X8014 | X8014 |
| 20 | Traction Tyres | 10 | X8030 | X8030 |
| * | Screw Pack | set | X8227 | X8227 |
| not illustrated | Driver, Fireman & Vacuum Pipes | 1+1+2 | X1400 | X1400 |