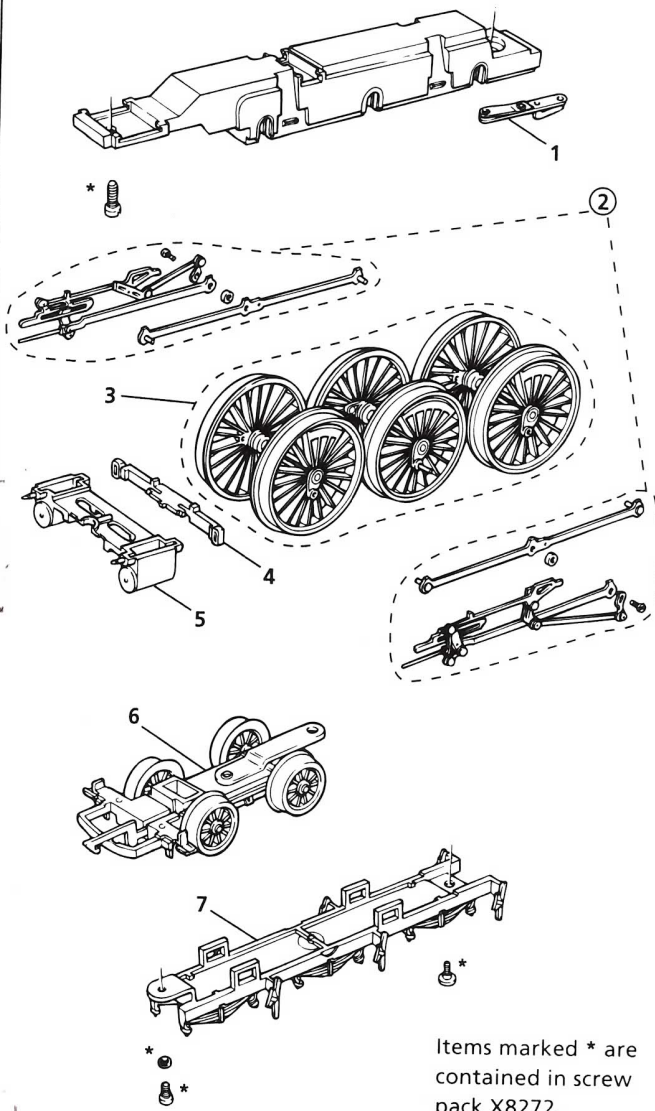
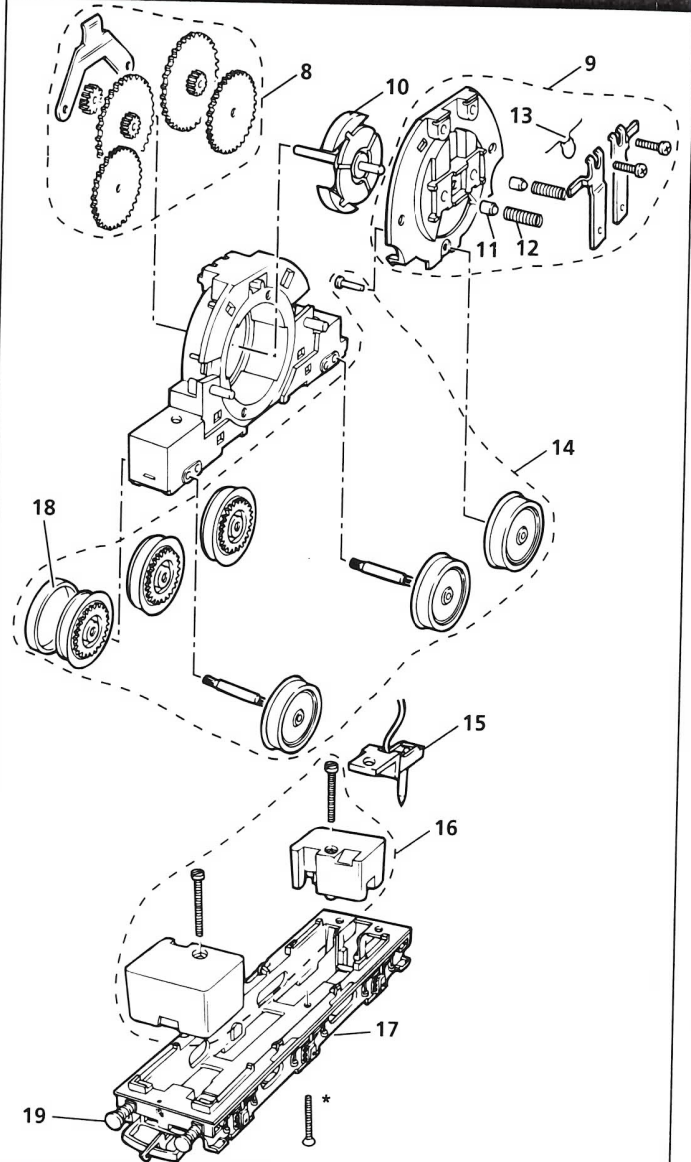


### LOCOMOTIVE



Items marked \* are contained in screw pack X8272.

### TENDER



### LIST OF SPARES

Item No.	Description	Pack	R315
1	Drawbar / Connector	1	X895
2	Coupling Rods & Valve Gear	set	X8275
3	Driving Wheel / Axle Set	set	X8273
4	Motion Bracket	1	L5295
5	Cylinder Block	1	L5296BK/9
6	Bogie	1	X1797
7	Chassis Bottom	1	L5301/1
8	Ringfield Gear Set	set	X6021
9	Ringfield Cover Plate Set	set	X6022
10	Armature / Commutator	1	X803
11	Carbon Brush	10	X8026
12	Brush Spring	10	X8027
13	Capacitor	10	X8032
14	Ringfield Wheel / Axle Set	set	X8274
15	Coupling Pin and Wire	1	X1287
16	Weights and Screws	2+2	X8276
17	Tender Chassis Complete	1	X8277
18	Traction Tyres	10	X8030
19	Buffers	10	X8144
20	Screw Pack	set	X8272
—	Drive Unit	1	X1162