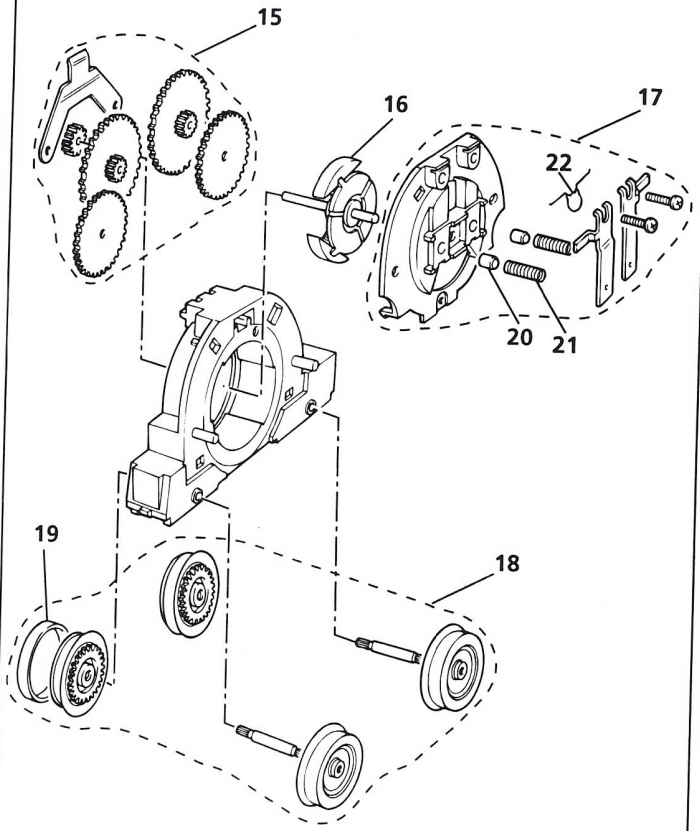
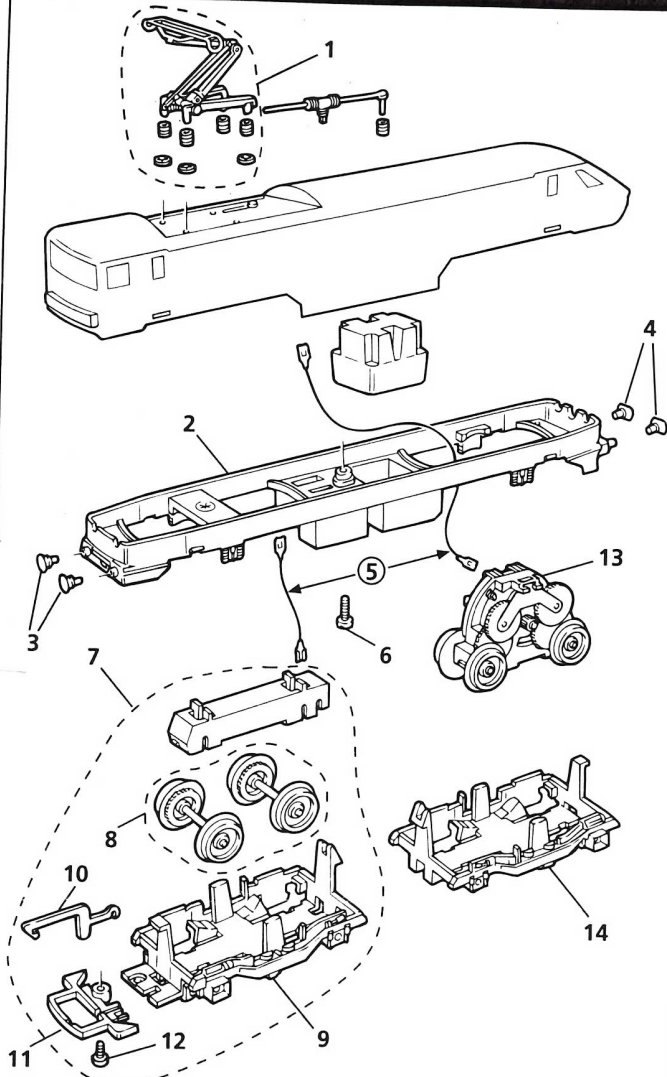


**LOCOMOTIVE**

**DRIVE UNIT**



**LIST OF SPARES**

Item No.	Description	Pack	R269W	R367	R3707	R2069
1	Pantograph Kit	1	—	X8013	—	X8013
2	Underframe	1	N1230	N1230	—	X8013
3	Buffers Round Head	10	X8134	X8134	N2332/2	N1230
4	Buffers Straight Sided	10	X8122	X8122	X8134	X8134
5	Pantograph Leads	pair	—	X8278	X8122	X8122
6	Body Screw	10	X8140	X8140	—	X8278
7	Non-Power Bogie Complete	set	X3093	X3093	X8140	X8140
8	Non-Power Bogie Wheel / Axle Set	set	X8283	X8283	X3093	X3093
9	Non-Power Bogie Frame	1	L6782	L6782	X8283	X8283
10	Coupling Hook	4	X8001	X8001	X8283	X8283
11	Coupling Bar	4	X8292	X8292	L6782	L6782
12	Coupling Screw	10	X8154	X8154	X8001	X8001
13	Drive Unit Complete	1	X2818	X2818	X8292	X8292
14	Power Bogie Frame	1	L6826	L6826	X8154	X8154
15	Ringfield Gear Set	set	X8193	X8193	X2818	X2818
16	Armature & Commutator	1	X803	X803	L6826	L6826
17	Ringfield Cover Plate Set	set	X6022	X6022	X8193	X8193
18	Ringfield Wheel / Axle Set	set	X8284	X8284	X803	X803
19	Traction Tyre	10	X8029	X8029	X6022	X6022
20	Carbon Brush	10	X8026	X8026	X8284	X8284
21	Brush Spring	10	X8027	X8027	X8029	X8029
22	Capacitor	10	X8032	X8032	X8026	X8026
not illustrated	Dummy Pantograph	4	X8291	—	X8027	X8027
					X8032	X8032
					X8291	—